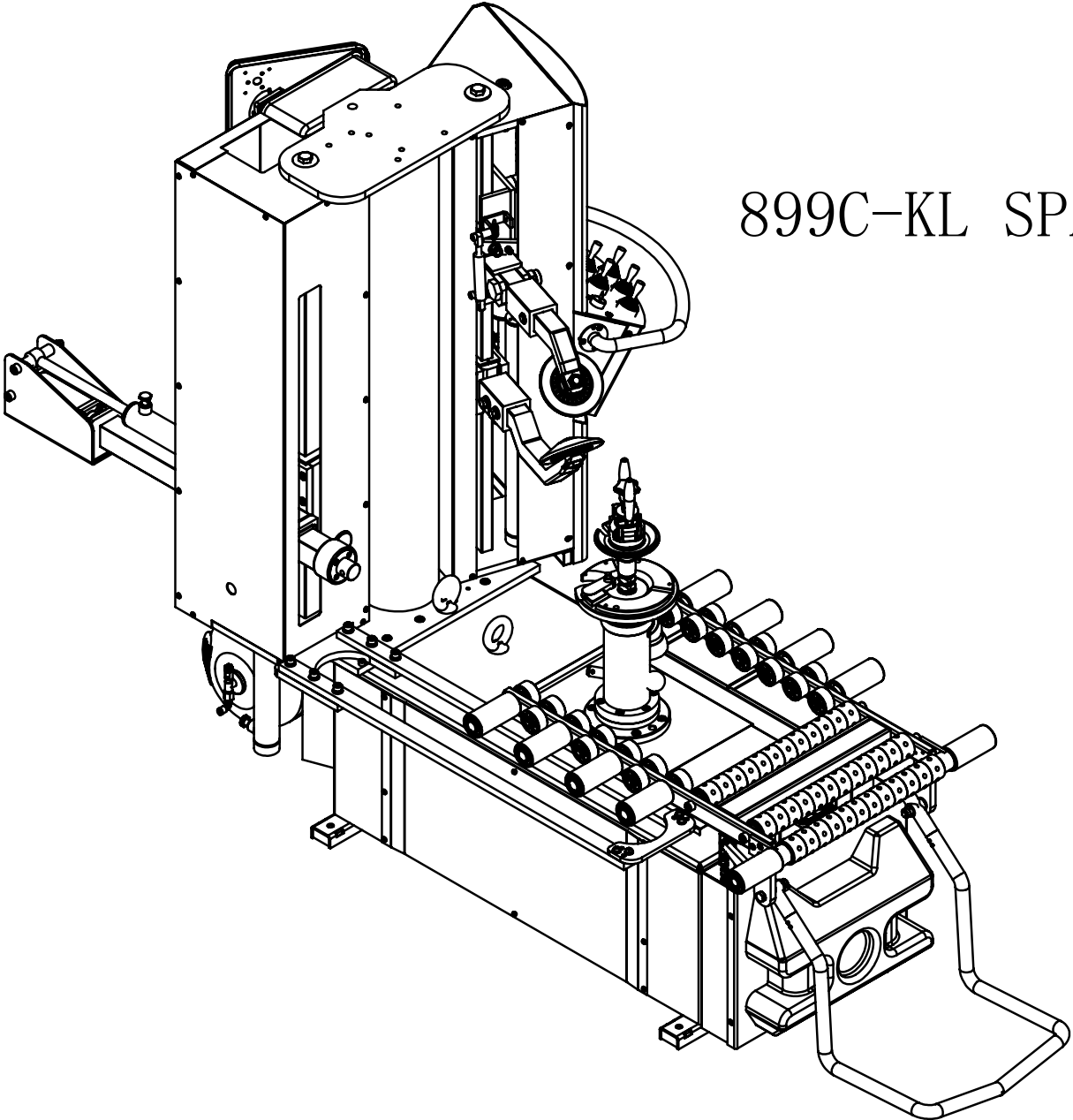
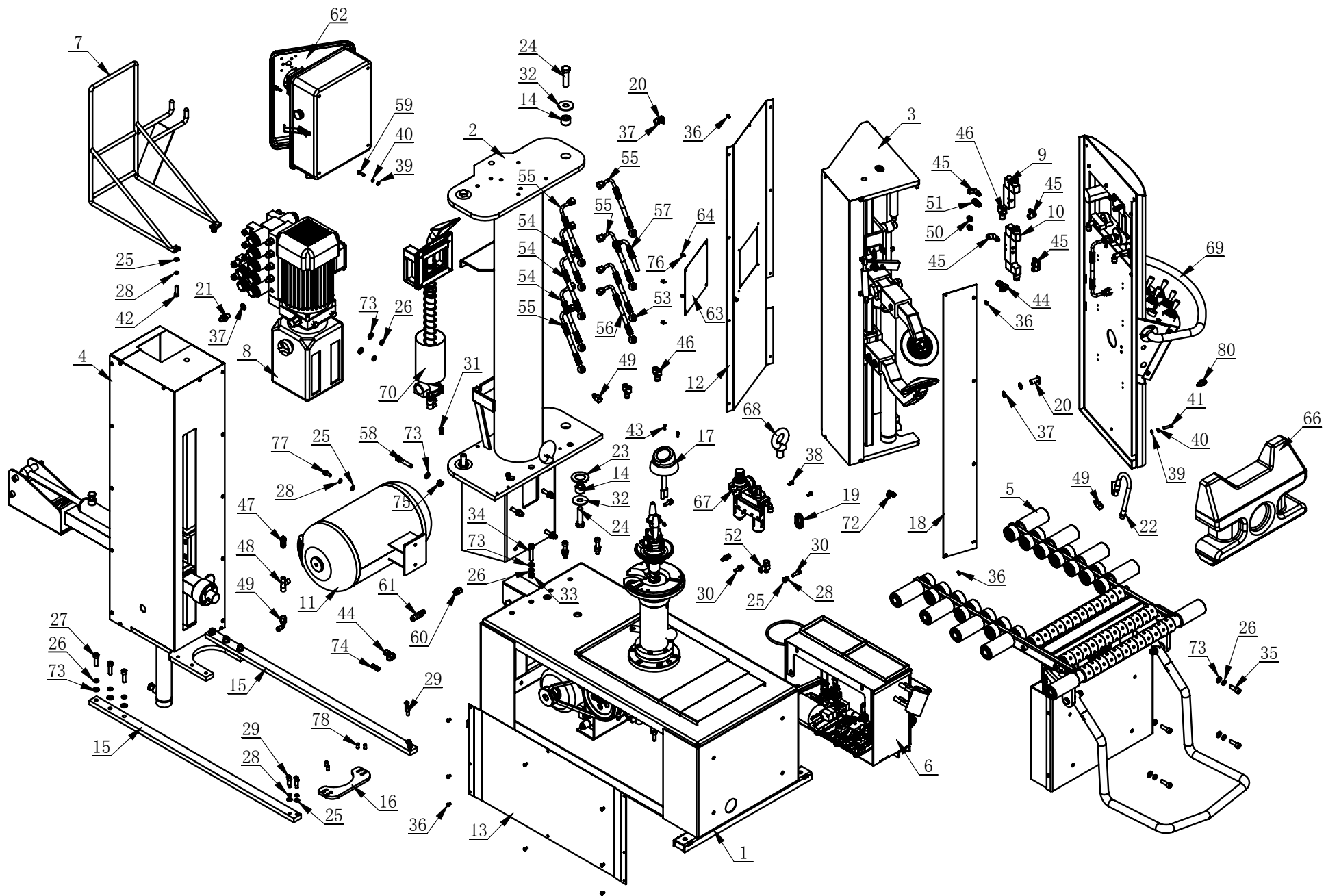


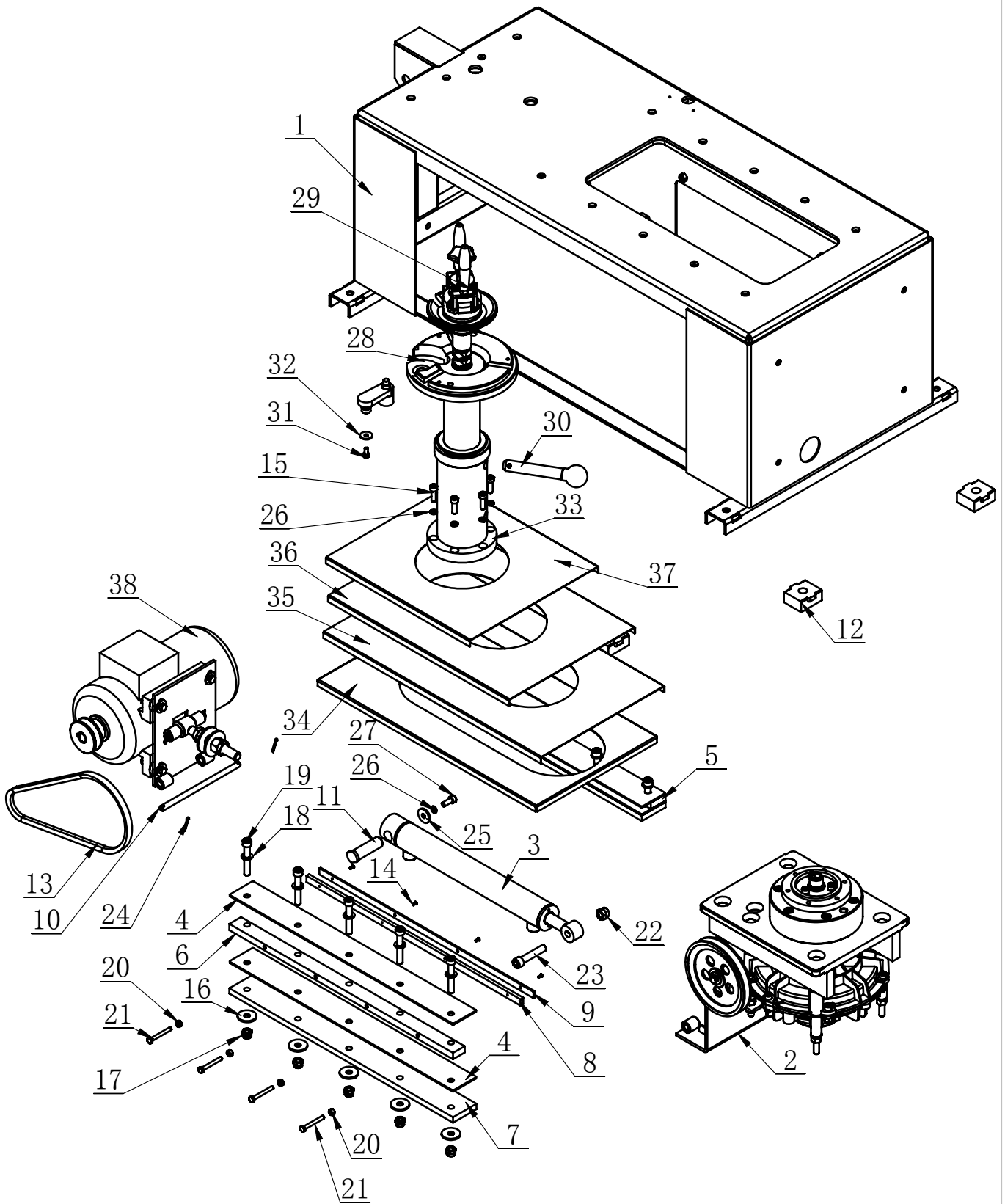
899C-KL SPARE PARTS LIST



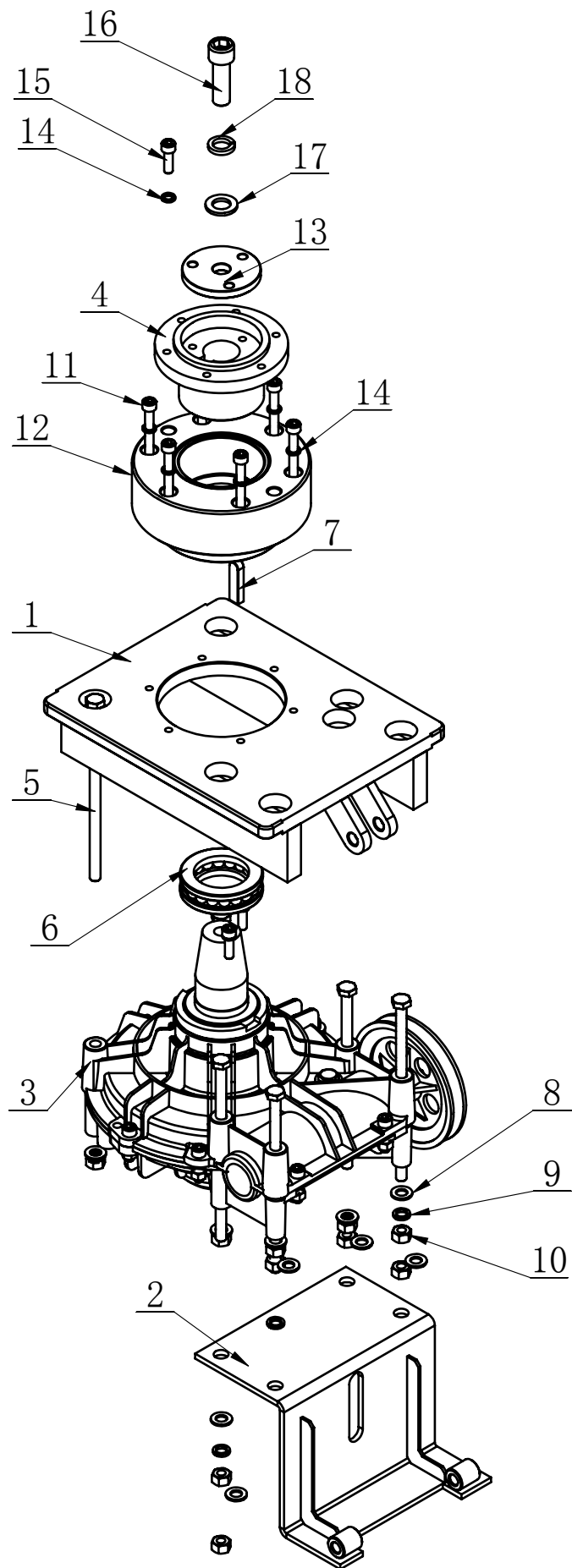


ITEM	PART. No	DESCRIPTION.	QT. Y
1	C-A3-1100000-001	HOUSING ASSEMBLY	1
2	C-A3-1200000	COLUMN	1
3	C-A3-1300000	RIGHT ARM ASSEMBLY	1
4	C-A3-1400000-001	LEFT HELPER	1
5	C-A1-1500000	LIFTING BRACKET	1
6	C-A3-1700000	ELECTR-PNEUMATIC CABINET	1
7	C-A1-1800000	PUMP PROTECTIVE BAR	1
8	C-A1-6000003	HYDRAULIC STATION	1
9	C-A1-1C00000	VALVE	1
10	C-A1-1D00000	VALVE	1
11	CT-K-4110000	AIR TANK	1
12	C-A1-1000026	REAR RETAINING PLATE	1
13	C-A1-1000003	SIDE PANEL	1
14	C-A1-1000004	ROTATION BUSHING	4
15	C-A1-1000006	GUIDE BAR	2
16	C-A3-1000007	PLATE	1
17	C-A1-1000008	CAMERA	1
18	C-A1-1000010	FRONT HOUSING	1
19	C-54-1000028	PLUG B	1
20	TC-10-1610001	OIL PIPE JOINT	10
21	TC-10-1620005	OIL ROUTE DOUBLE SCREW ROD	10
22	CT-K-3100003	1.5M INFLATION HOSE	1
23	GB95-30	FLAT WASHER	2
24	GB5781-M16×60	HEXANGULAR BOLT	4
25	GB95-8	FLAT WASHER	12
26	GB93-10	STANDARD SPRING WASHER	16
27	GB70. 1-M10×35	INNER HEXA CYLINDRICAL SCREW	6
28	GB93-8	STANDARD SPRING WASHER	12
29	GB70. 2-M8×30	INNER HEXA CYLINDRICAL ROUND HEAD SCREW	8
30	GB70. 1-M8×25	INNER HEXA CYLINDRICAL SCREW	4
31	GB70. 1-M8×12	INNER HEXA CYLINDRICAL SCREW	2
32	GB96. 2-16	LARGE WASHER C GRADE	4
33	GB41-M10	HEXANGULAR NUT	4
34	GB70. 1-M10×50	INNER HEXA CYLINDRICAL SCREW	4
35	GB70. 1-M10×30	INNER HEXA CYLINDRICAL SCREW	4
36	GB818-M5×10-H	CROSS PANHEAD SCREW	27
37	JB982-14	COMBINED SEALING RING	32
38	GB70. 1-M6×10	INNER HEXA CYLINDRICAL SCREW	2
39	GB95-6	FLAT WASHER	8
40	GB93-6	STANDARD SPRING WASHER	7

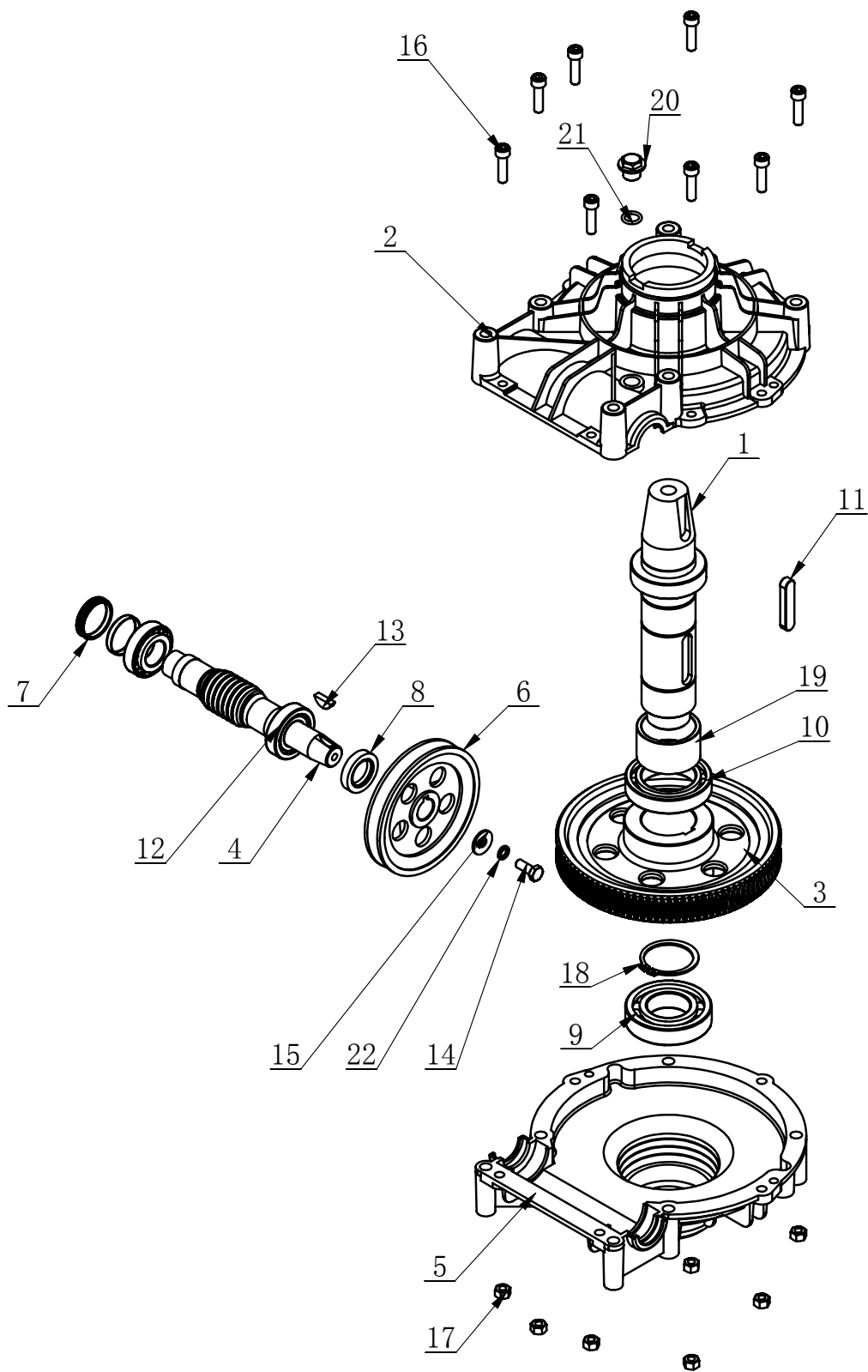
ITEM	PART. No	DESCRIPTION.	QT. Y
41	GB70. 1-M6×25	INNER HEXA CYLINDRICAL SCREW	4
42	GB70. 1-M8×30	INNER HEXA CYLINDRICAL SCREW	2
43	GB70. 1-M4×12	INNER HEXA CYLINDRICAL SCREW	2
44	S6560 6	DIFFERENT DIA OF UNION TEE	2
45	S6520 8-1/8	INSERT ELBOW Φ8, R1/8	5
46	S6560 8	UNION Y	3
47	CT-K-4100001	SAFE VALVE G1/4	1
48	S2060	PIPE JOINT S2050 1/4 1/4	1
49	S6463 4-1/8	FEMALE ELBOW	3
50	RSW 1-8	SILENCER SPEED ADJUSTER	2
51	S2901 1-8	PLASTIC PARTICLE SILENCER	1
52	S6510 8-1-4	SINGLE FEMALE UNIVERSAL ELBOW	1
53	YG-1201400	TRAIL OIL TANK OIL PIPE(1800)	1
54	TC-10-1000019	TRAIL OIL TANK OIL PIPE(1800)	3
55	TC-10-1000020	OIL PIPE (1020)	4
56	YG-1200800	TRAIL OIL TANK OIL PIPE(1800)	1
57	TC-40-1500001	OIL TANK OIL PIPE	1
58	GB70. 1-M10×55	INNER HEXA CYLINDRICAL SCREW	4
59	GB70. 1-M6×20	INNER HEXA CYLINDRICAL SCREW	4
60	S6520 8-1-4	MALE STRAIGHT	1
61	S6430 8-1-8	MALE RUN TEE	1
62	C-A1-B032221	899ITC ELECTRIC CABINET	1
63	C-A1-1000023	COVER BOARD	1
64	GB818-M3×12-Z	CROSS PANHEAD SCREW	4
65	S2003 1-4	PIPE JOINT	1
66	C-A1-1000021	FORMER GUARD	1
67	CT-F-2121200	AIR REGULATOR ASSEMBLY	1
68	GB825-M20	RING SCREW	2
69	C-A3-1600000	HELPER	1
70	C-A1-1900000	BUEST INFLATOR	1
71	S6463 6-1-8	PIPE JOINT	1
72	S6520 6 - 1-8	CONNECT 8522 6 1/8	1
73	GB95-10	FLAT WASHER	24
74	S2070 1/4-1/4	DIFFERENT DIA OF UNION STRAIGHT	1
75	GB889. 1-M10	1-TYPE PREVAILING TORQUE TYPE HEXAGON LOCKNUT	4
76	GB95-4	FLAT WASHER	4
77	GB5781-M8×20	HEXANGULAR BOLT	2
78	GB119. 1-8×16	CYLINDRICAL PIN	4
79	GB889. 1-M6	1-TYPE PREVAILING TORQUE TYPE HEXAGON LOCK NUT	1
80	CT-K-3110000	EXHAUST VALVE ASSEMBLY	1



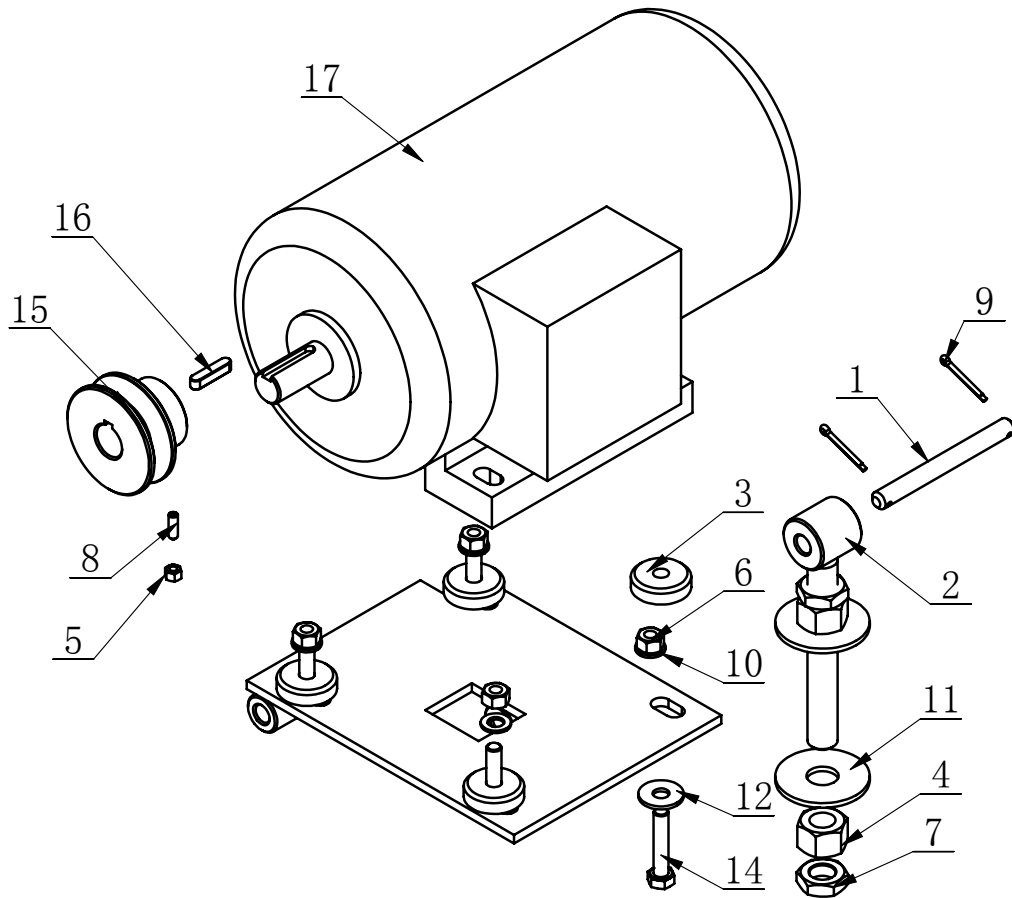
ITEM	PART. No	DESCRIPTION.	QT. Y
1	C-A3-1110000	BODY	1
2	C-A3-1120000	MAIN SHAFT DRIVEN ASSEMBLY	1
3	C-A1-1130000	MAINSHAFT MOBILE CYLINDER	1
4	C-A1-1100001	COPPER CHUTE	4
5	C-A1-1100002	PAD	1
6	C-A1-1100003	SMALL BLOCK	1
7	C-A1-1100004	PRESS PLATE	2
8	C-A1-1100005	ADJUSTABLE BLOCK	1
9	C-A1-1100006	SMALL COPPER BAR	2
10	C-A1-1100010	ROTATION SHAFT	1
11	C-A1-1100012	OIL TANK HANG SHAFT	1
12	C-54-1000005	RUBBER FOOT	4
13	TC-10-1000018	BELT	1
14	GB70. 3-M3×8	INNER COUNTERSUNK SCREW	8
15	GB70. 1-M8×25	INNER HEXA CYLINDRICAL SCREW	6
16	GB5287-10	EXTREM LARGE WASHER C-GRADE	10
17	GB889. 1-M10	1-TYPE PREVAILING TORQUE TYPEHEXAGONLOCKNUT	10
18	GB95-10	FLAT WASHER	10
19	GB70. 1-M10×65	INNER HEXA CYLINDRICAL SCREW	10
20	GB41-M6	HEXANGULAR NUT	4
21	GB5782-M6×50	HEXANGULAR BOLT	4
22	GB889. 1-M12	1-TYPE PREVAILING TORQUE TYPE HEXAGON LOCK NUT	1
23	GB70. 1-M12×60	INNER HEXA CYLINDRICAL SCREW	1
24	GB91-3. 2×25	SLOTTED PIN	2
25	GB5287-8	EXTREM LARGE WASHER C-GRADE	1
26	GB93-8	STANDARD SPRING WASHER	7
27	GB70. 1 -M8×20	INNER HEXA CYLINDRICAL SCREW	1
28	C-A1-11B0000	CHUCK ASSEMBLY	1
29	C-A1-11C0000	SCREW ASSEMBLY	1
30	C-A1-1180000	HANDLE	1
31	GB70. 1-M6×12	INNER HEXA CYLINDRICAL SCREW	1
32	GB5287-6	EXTREM LARGE WASHER C-GRADE	1
33	C-A3-1170000	SOLID COUPLER	1
34	C-A1-1100007	UPPER COVER	1
35	C-A1-1100008	LARGE COVER	1
36	C-A1-1100009	MID-SIZED COVER	1
37	C-A1-1140001	SMALL HATCHCOVER	1
38	C-A1-1140000F	MOTOR ASSEMBLY	1



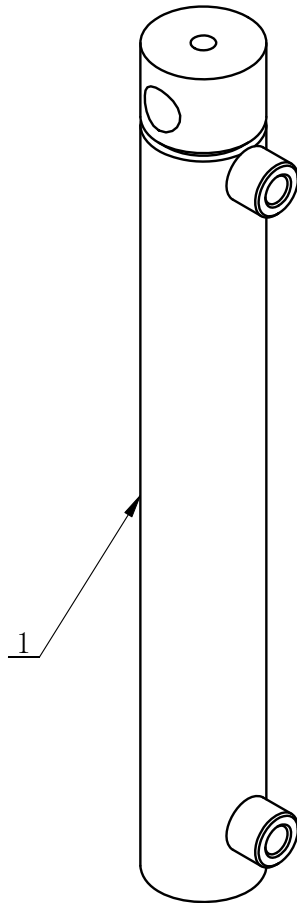
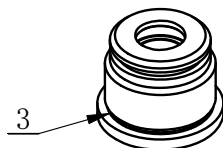
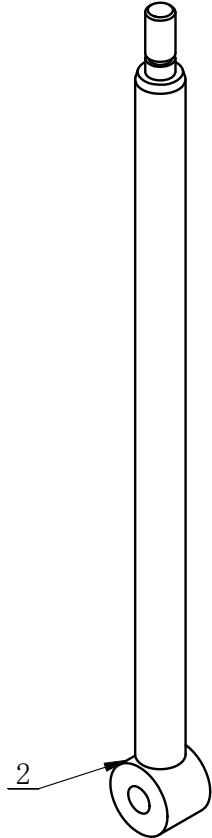
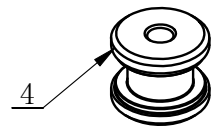
ITEM	PART. No	DESCRIPTION.	QT. Y
1	C-A1-1121000	GEARBOX FIX PLATE	1
2	C-A1-1123000A	FIX RACK	1
3	C-A3-1124000	GEARBOX ASSEMBLY	1
4	C-A3-1120001	RETURN BODY	1
5	GB5782- M10X200	BOLT M10X200	6
6	GB301-51210	THRUST BALL BEARING	1
7	GB1096-C12×8×45	COMMON FLAT KEY	1
8	GB95-10	FLAT WASHER	10
9	GB93-10	STANDARD SPRING WASHER	6
10	GB41-M10	HEXANGULAR NUT	10
11	GB70. 1-M8×60	INNER HEXA CYLINDRICAL SCREW	6
12	C-A1-1125000	SHAFT BUSHING	1
13	C-A3-1120004	PRESS COVER	1
14	GB93-8	STANDARD SPRING WASHER	9
15	GB70. 1-M8×25	INNER HEXA CYLINDRICAL SCREW	3
16	GB70. 1-M16×50	INNER HEXA CYLINDRICAL SCREW	1
17	GB95-16	FLAT WASHER	1
18	GB93-16	STANDARD SPRING WASHER	1



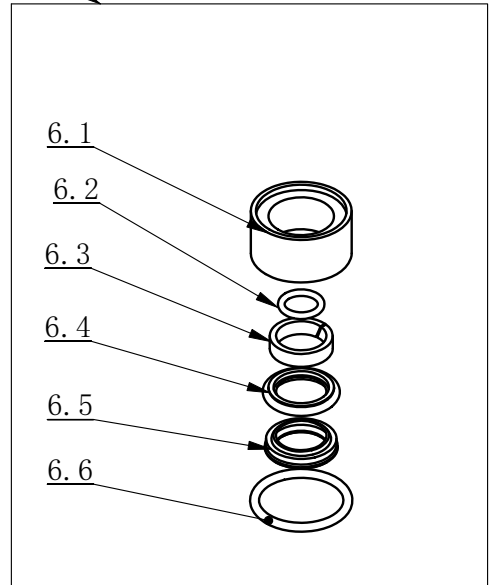
ITEM	PART. No	DESCRIPTION.	QT. Y
1	C-A3-1124001	WORM WHEEL SHAFT	1
2	C-A1-1124004	REDUCER COVER	1
3	CT-J-0200000	WORM	1
4	CT-J-0000004	WORM ROD	1
5	CT-J-0000005	GEARBOX TOP	1
6	CT-J-0000008	BELT PULLEY	1
7	CT-J-0100000	CAP	1
8	FB25-40 GB13871. 92	SEALED RING	1
9	GB276-6208	DEEP GROOVE BALL BEARINGS	1
10	GB276-6010	DEEP GROOVE BALL BEARINGS	1
11	GB1096-12×8×56	COMMON FLAT KEY	1
12	GB297-30205	CYLINDRICAL BALL BEARING	2
13	GB1099. 1-6×9×22	COMMON SEMI-CIRCULAR KEY	1
14	GB5781-M8×20	HEXANGULAR BOLT	1
15	GB96. 2-8	LARGE WASHER C GRADE	1
16	GB70. 1-M8×30	INNER HEXA CYLINDRICAL SCREW	8
17	GB41-M8	HEXANGULAR NUT	8
18	GB894. 1-50	SHAFT ELATIC BIG RETAINING RING A-TYPE	1
19	C-A1-1124003	SLEEVE	1
20	TC-10-1400013	BOLT	1
21	通用O形圈 G型 13. 2×2. 65-G	HYDRAULIC-PNEUMATIC RUBBER O-RING G TYPE	1
22	GB93-8	STANDARD SPRING WASHER	1



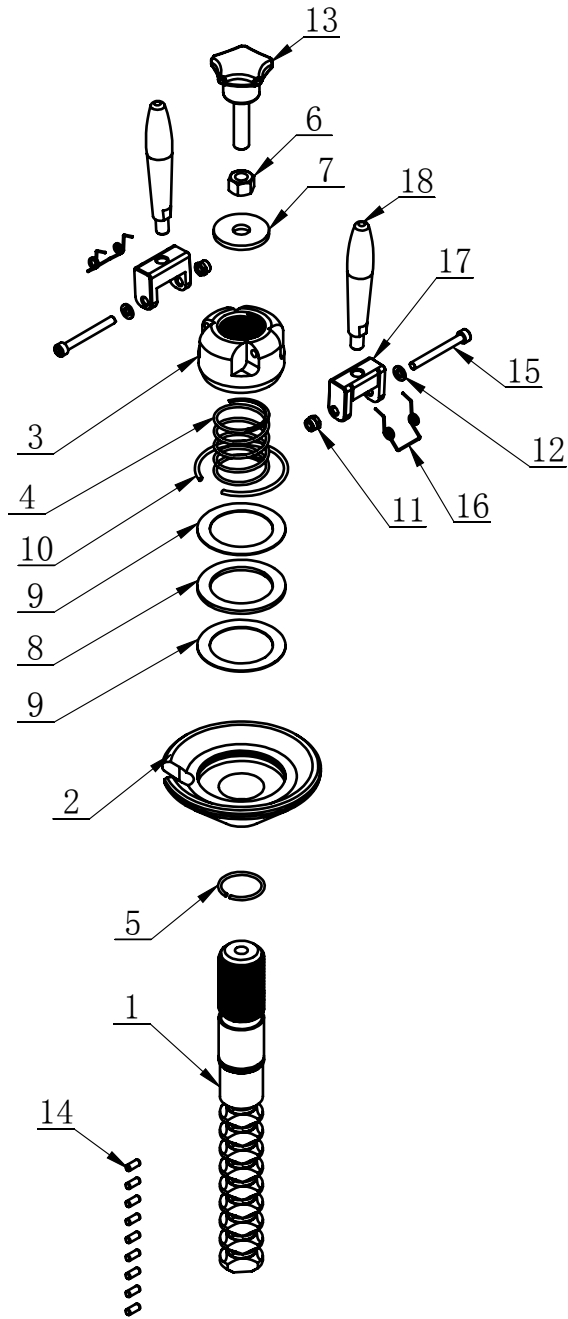
ITEM	PART. No	DESCRIPTION.	QT. Y
1	C-A2-1170001	ROTATION SHAFT	1
2	C-A2-1170010	PULL POLE	1
3	CT-DJ-0000002	RUBBER WASHER	4
4	GB41-M16	HEXANGULAR NUT	2
5	GB41-M5	HEXANGULAR NUT	1
6	GB41-M8	HEXANGULAR NUT	4
7	GB6172. 1-M16	HEXANGULAR THIN NUT	2
8	GB78-M5×16	INNER HEXA CONIC TERMINUS SET SCREW	1
9	GB91-3. 2×25	SLOTTED PIN	2
10	GB95-8	FLAT WASHER	4
11	GB96. 1-16	LARGE WASHER A GRADE	2
12	GB96. 2-8	LARGE WASHER C GRADE	4
13	C-A1-1140500	MOTOR BEND PLATE	1
14	GB5782-M8×40	HEXANGULAR BOLT	4
15	CT-DJ-0000005	MOTOR BELT PULLEY	1
16	GB1096-6×6×28	COMMON FLAT KEY	1
17	CT-DJ-0062223	MOTOR	1



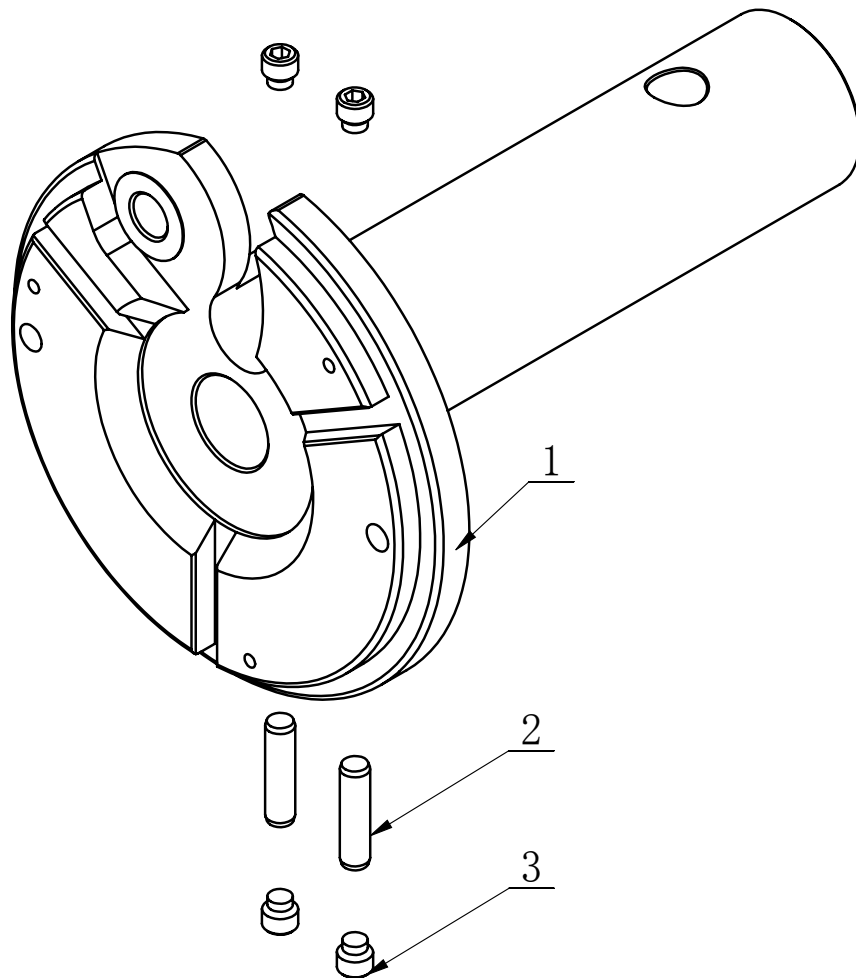
6



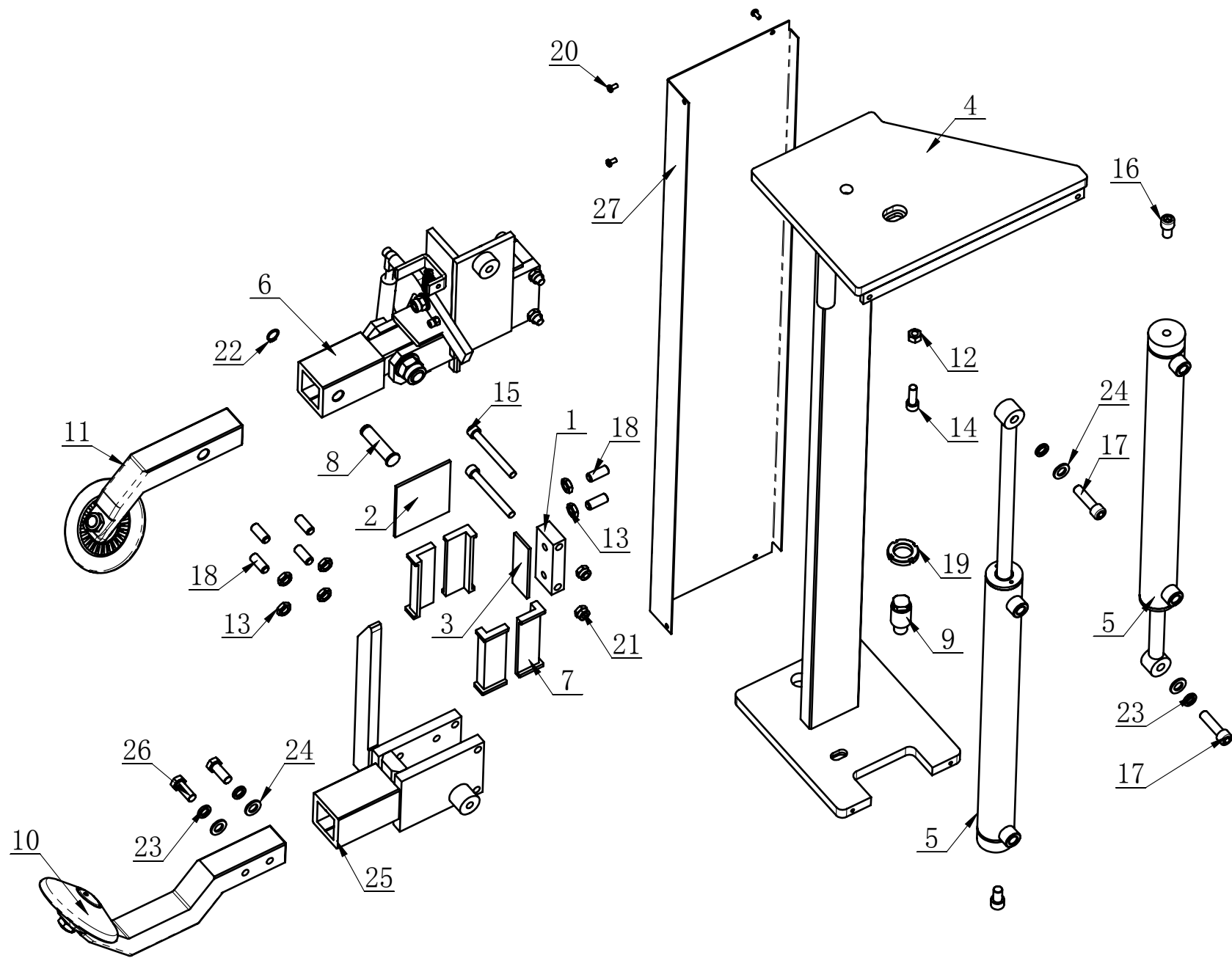
ITEM	PART. NO	DESCRIPTION.	QT. Y
1	C-A1-1131000	CYLINDER HOUSING	1
2	C-A1-1132000	PISTON ROD	1
3	C-A1-1130001	FRONT HEAD	1
4	C-A1-1130002	PISTON	1
5	GB93-12	STANDARD SPRING WASHER	1
6	C-A1-1130000M	SEAL COMPONENTS	1
6.1	C-A1-1130004	COMBINED SEALING RING	1
6.2	GB345.2 9×1.8-G	HYDRAULIC-PNEUMATIC RUBBER O-RING	1
6.3	C-A1-1130005	SUPPORT RING GT-5.6B	1
6.4	C-A1-1130003	SEALING RING Φ20	1
6.5	C-A1-1130006	DUST-PROOF RING	1
6.6	GB3452.1 40×3.55-G	HYDRAULIC-PNEUMATIC RUBBER O-RING G TYPE	1



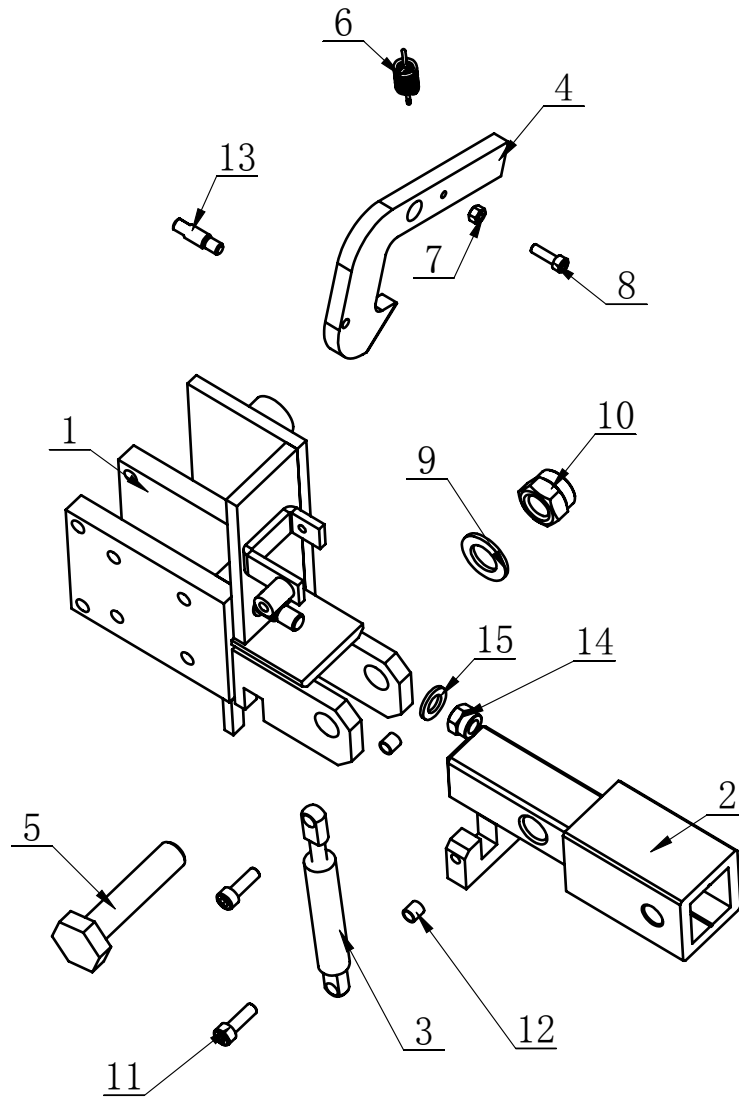
ITEM	PART. No	DESCRIPTION.	1
1	C-A1-11C0008	SCREW	1
2	C-A1-11C0002	CONE	1
3	C-A1-11C0003	PARTY TOOTH NUM	1
4	C-A1-11C0004	IDLER STRAIN SPPING	1
5	GB895. 2-35	SHAFT STEEL WIRE RETAINING RING	1
6	GB41-M12	HEXANGULAR NUT	1
7	GB5287-12	EXTREM LARGE WASHER C-GRADE	1
8	GB4650-AXK5070	A THRUST NEEDLE CAGE AND COMPONENTS	1
9	GB4650-AS5070	THRUST WASHER	2
10	GB895. 1-70	STEEL WIRE RETAINING RING	1
11	GB889. 1-M6	1-TYPE PREVAILING TORQUE TYPE HEXAGON LOCK NUT	2
12	GB95-6	FLAT WASHER	2
13	C-A1-11C0006	THE STAR HANDLE M10-20	1
14	GB119. 2-5×12	CYLINDRICAL PIN	9
15	GB70. 1-M6×55	INNER HEXA CYLINDRICAL SCREW	2
16	C-A2-1120007A	SPRING	2
17	C-A2-1120004	BASE	2
18	C-A2-1120005	HANDLE	2



ITEM	PART. No	DESCRIPTION.	1
1	C-A1-11B0001	CHUCK	1
2	C-A1-11B0002	CYLINDRICAL PIN	2
3	GB79-M12×12	INNER HEXA CYLINDRICAL TERMINUS SET SCREW	4

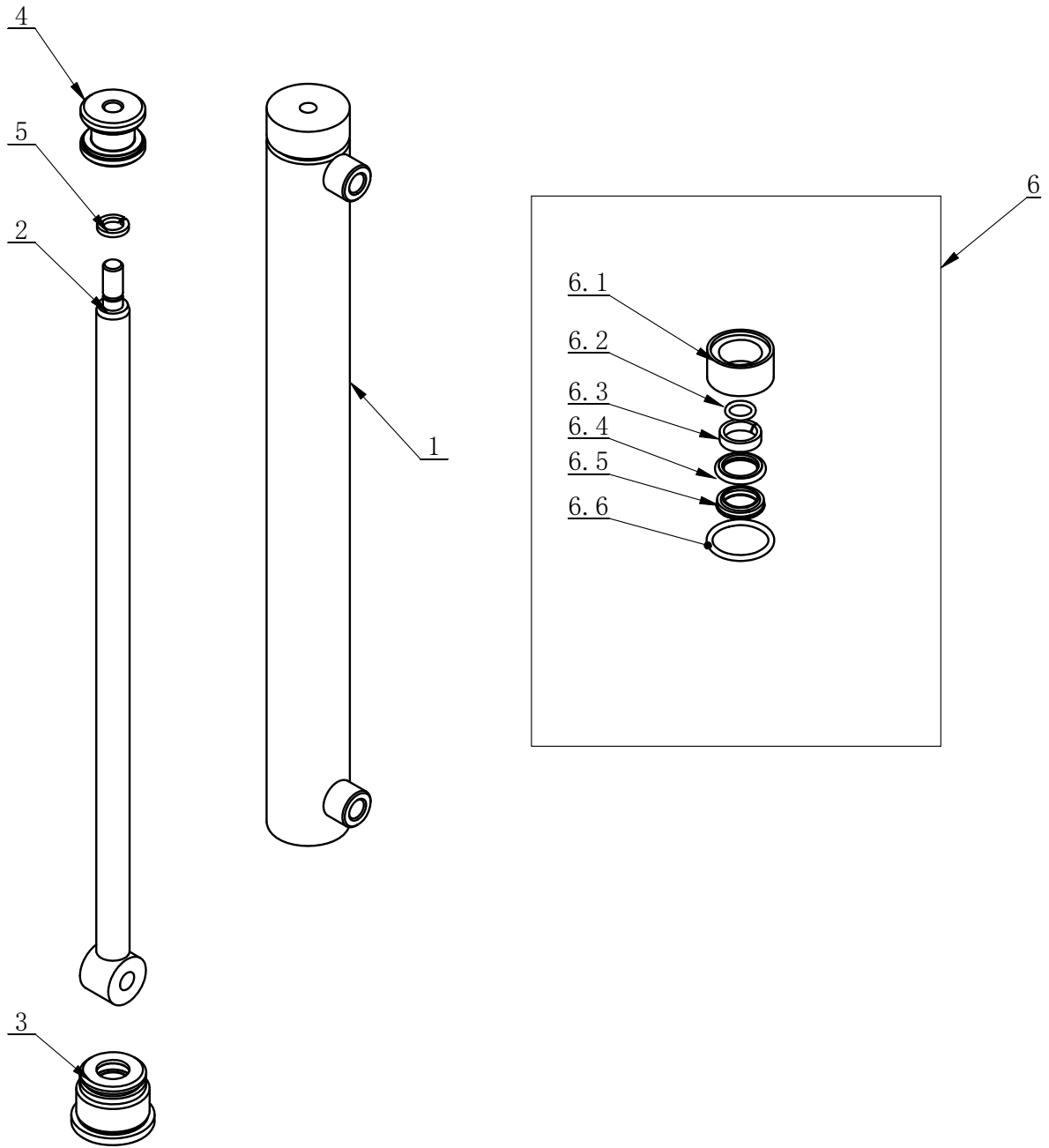


ITEM	PART. No	DESCRIPTION.	QT. Y
1	C-A1-1300002	RETAINING BLOCK	2
2	C-A1-1300005	LARGE ADJUST PLATE	2
3	C-A1-1300006	BACKING PLATE	2
4	C-A1-1310000	RIGHT COLUMN	1
5	C-A1-1320000	BEAD BREAKER OIL TANK	2
6	C-A1-1340000	UPPER SLIDE	1
7	C-A3-1300004	NYLON SLIDE	8
8	C-A3-1300007	AXIS PIN	1
9	C-A3-1300008	PISTON PIN	1
10	C-A3-1350000	BOTTOM PLATE	1
11	C-A3-1360000	UPPER PLATE	1
12	GB41-M10	HEXANGULAR NUT	1
13	GB6172. 1-M12	HEXANGULAR THIN NUT	12
14	GB70. 1-M10×30	INNER HEXA CYLINDRICAL SCREW	1
15	GB70. 1-M10×90	INNER HEXA CYLINDRICAL SCREW	4
16	GB70. 1-M12×20	INNER HEXA CYLINDRICAL SCREW	2
17	GB70. 1-M12×45	INNER HEXA CYLINDRICAL SCREW	2
18	GB77-M12×30	INNER HEXA FLAT TERMINUS SET SCREW	12
19	GB810-M27×1.5	SMALL CIRCULAR NUT	1
20	GB818-M5×10-H	CROSS PANHEAD SCREW	4
21	GB889. 1-M10	1-TYPE PREVAILING TORQUE TYPEHEXAGONLOCKNUT	4
22	GB894. 1-16	SHAFT ELATIC BIG RETAINING RING A-TYPE	1
23	GB93-12	STANDARD SPRING WASHER	4
24	GB95-12	FLAT WASHER	4
25	C-A3-1330000	BOTTOM SLIDE	1
26	GB5781-M12×30	HEXANGULAR BOLT	2
27	C-A1-1300003A	EXTERNAL HOUSHING	1

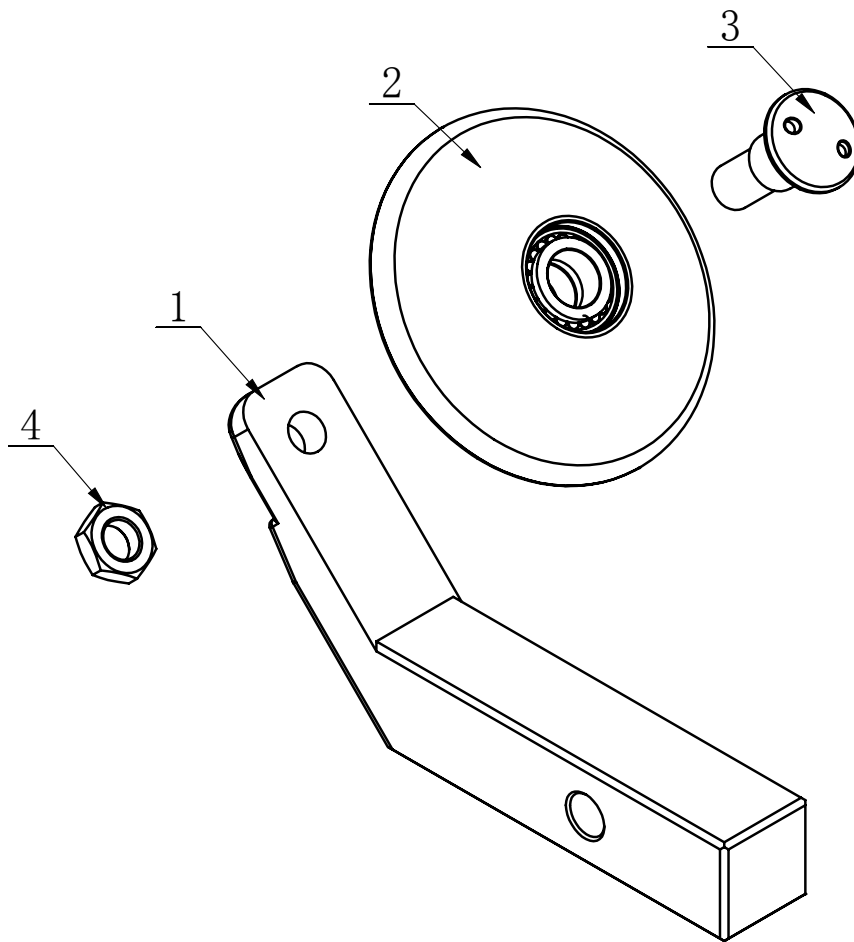


ITEM	PART. No	DESCRIPTION.	QT. Y
1	C-A1-1341000	BOTTOM SLIDE	1
2	C-A1-1342000	FIX PLATE	1
3	C-A1-1340001	PNEUMATIC SPRING	1
4	C-A1-1340002	HOOK	1
5	C-A1-1340003	LONG ROTATION SHAFT	1
6	CT-D-2100003	SPRING	1
7	GB41-M6	HEXANGULAR NUT	1
8	GB70. 1-M6×20	INNER HEXA CYLINDRICAL SCREW	1
9	GB95-20	FLAT WASHER	1
10	GB889. 1-M20	1-TYPE PREVAILING TORQUE TYPE HEXAGON LOCK NUT	1
11	GB70. 1-M8×25	INNER HEXA CYLINDRICAL SCREW	2
12	C-A1-1340006	SPRING SHAFT BUSHING	2
13	C-A1-1340007	RETAINING PIN	1
14	GB889. 1-M12	1-TYPE PREVAILING TORQUE TYPE HEXAGON LOCK NUT	1
15	GB95-12	FLAT WASHER	1

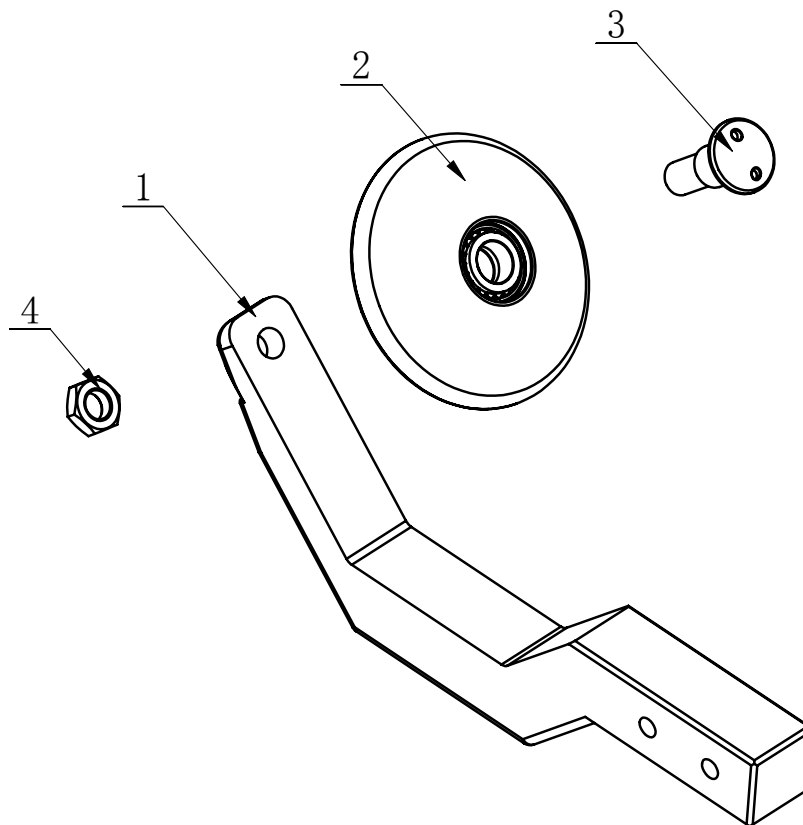
C-A1-1320000



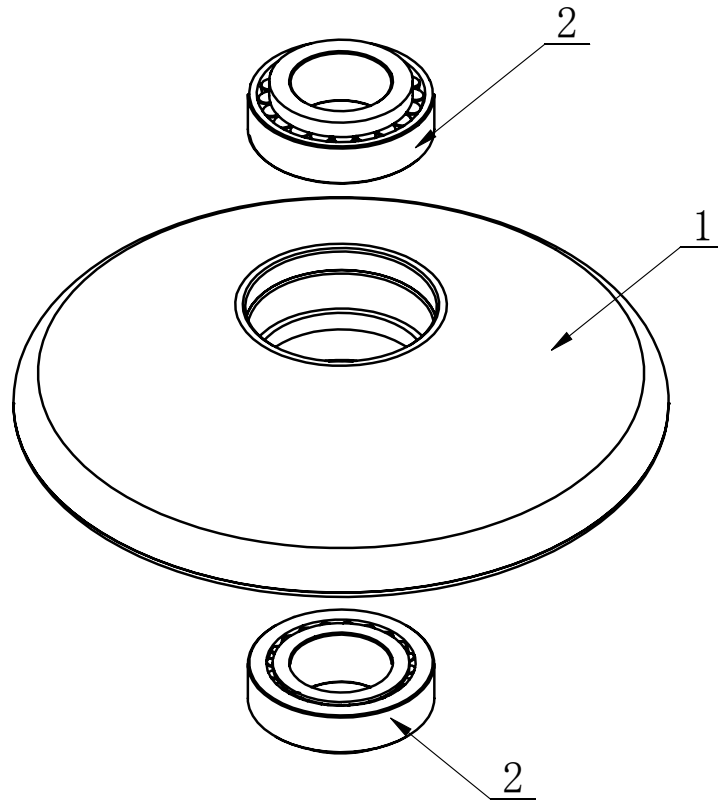
ITEM	PART. NO	DESCRIPTION.	QT. Y
1	C-A11321000	CYLINDER HOUSING	1
2	C-A1-1322000	PISTON ROD	1
3	C-A1-1130001	FRONT HEAD	1
4	C-A1-1130002	PISTON	1
5	GB93-12	STANDARD SPRING WASHER	1
6	C-A1-1130000M	OIL CYLINDER SEAL ASSEMBLY	1
6.1	C-A1-1130004	COMBINED SEALING RING	1
6.2	GB3452.1-9×1.8-G	HYDRAULIC-PNEUMATIC RUBBER O-RING	1
6.3	C-A1-1130005	SUPPORT RING GT-5.6B	1
6.4	C-A1-1130003	SEALING RING Φ20	1
6.5	C-A1-1130006	DUST-PROOF RING	1
6.6	GB3452.1-40×3.55-G	HYDRAULIC-PNEUMATIC RUBBER O-RING G TYPE	1



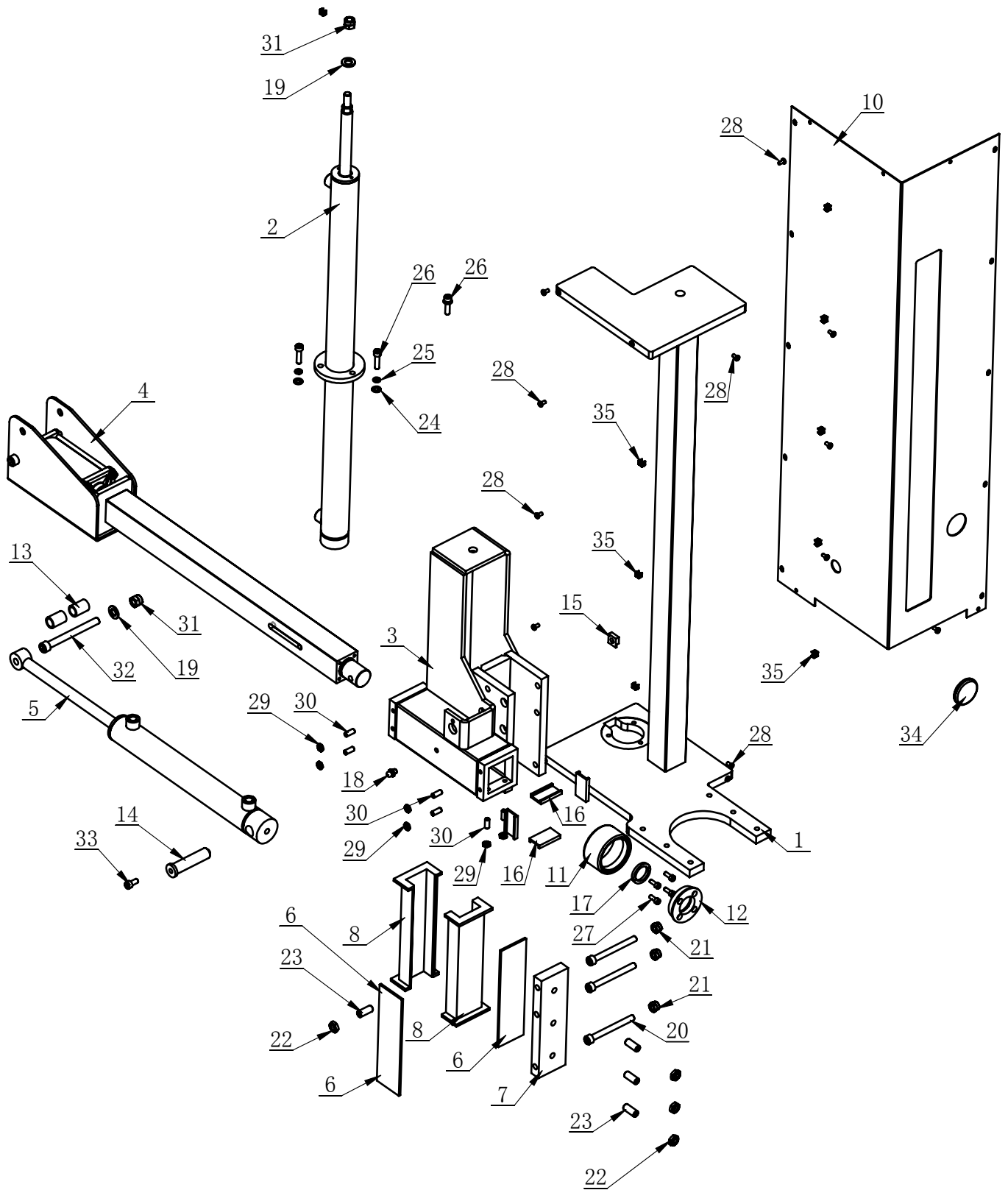
ITEM	PART. No	DESCRIPTION.	QT. Y
1	C-A3-1360001	BOTTOM PLATE RACK	1
2	C-A1-1361000	BY PLACENTA	1
3	C-A3-1350002	SPINDLE	1
4	GB6172. 1-M16	HEXANGULAR THIN NUT	1



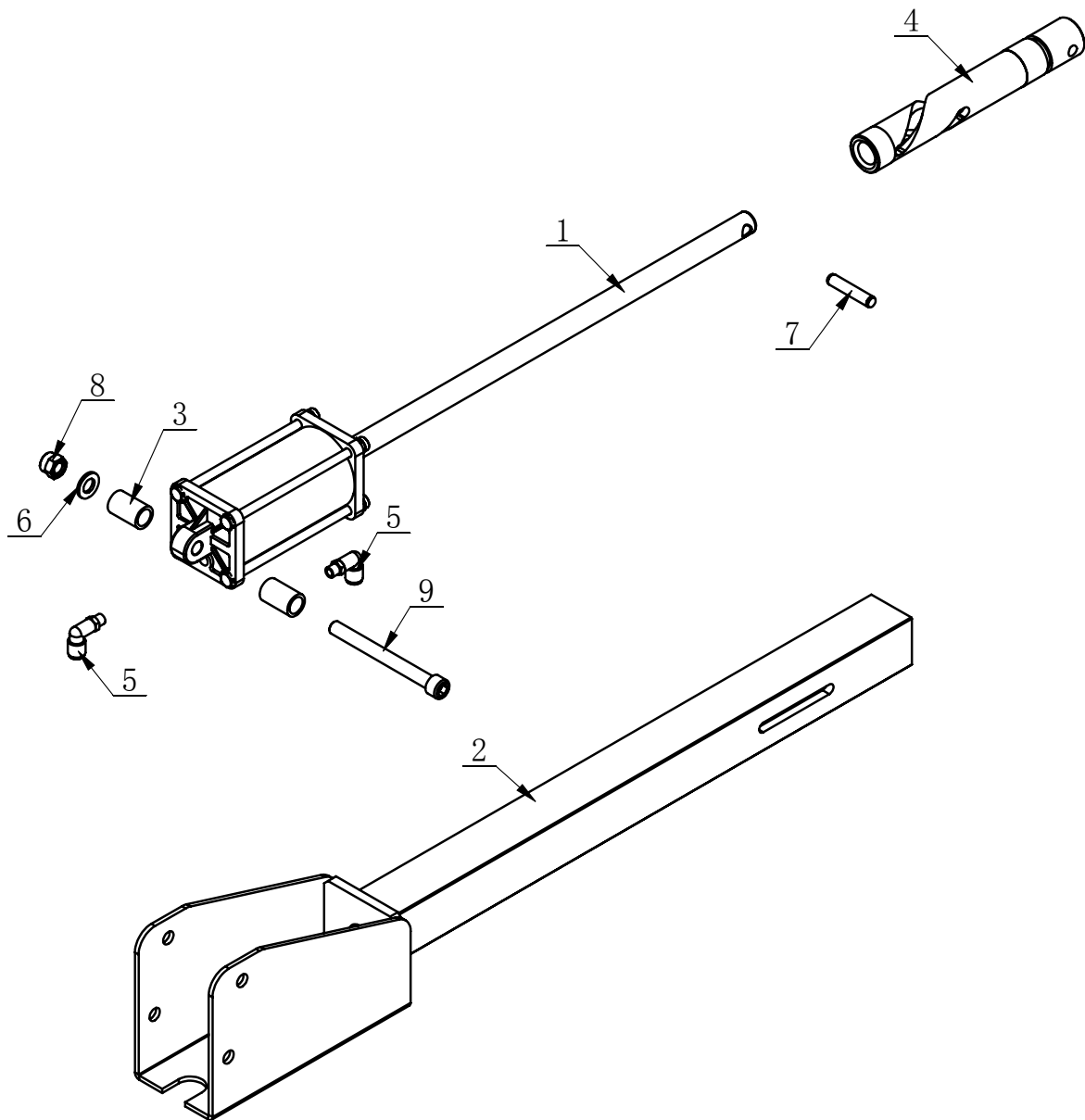
ITEM	PART. No	DESCRIPTION.	QT. Y
1	C-A3-1350001A	UPPER PLATE RACK	1
2	C-A1-1361000	BY PLACENTA	1
3	C-A3-1350002	SPINDLE	1
4	GB6172. 1-M16	HEXANGULAR THIN NUT	1



ITEM	PART. No	DESCRIPTION.	QT. Y
1	C-A1-1361100	BY PLACENTA	1
2	GB297-32904	CYLINDRICAL BALL BEARING	2

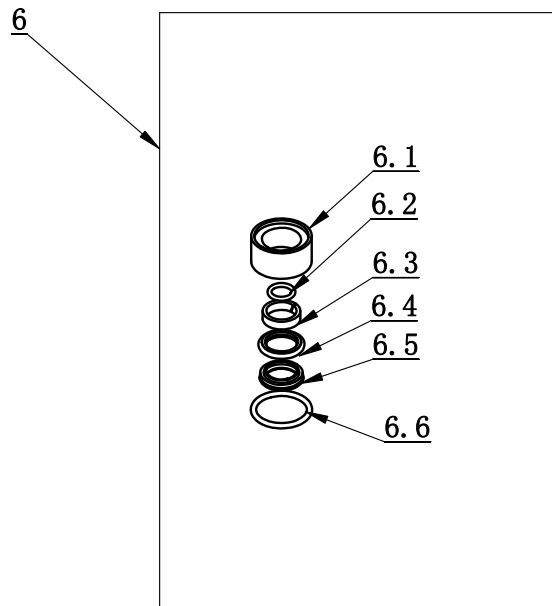
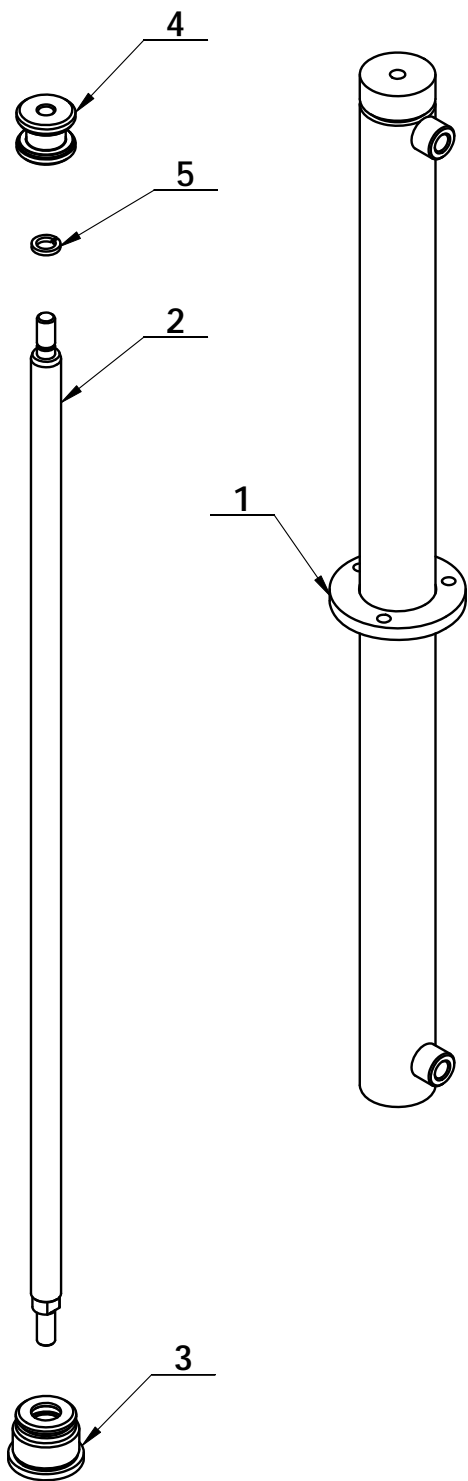


ITEM	PART. No	DESCRIPTION.	QT. Y
1	C-A1-1410000	LEFT ARM COLUMN	1
2	C-A3-1420000	TOOL HEAD OIL TANK	1
3	C-A3-1430000	LEFT SLIDE	1
4	C-A1-1440000	TOOL ARM	1
5	C-A1-1130000	MAINSHAFT MOBILE CYLINDER	1
6	C-A1-1400001	CUSHION	2
7	C-A1-1400002	RETAINING PLATE	1
8	C-A3-1400003	NYLON SLIDE	2
9	C-A1-1400013	LEFT ARM REAR HOUSHING	1
10	C-A1-1400012	LEFT ARM FRONT HOUSHING	1
11	C-A1-1400006	ROTATION BUSHING	1
12	C-A1-1400007	COVER	1
13	C-A1-1400008	OIL TANK SPACER	2
14	C-A1-1400009	OIL TANK SHAFT	1
15	C-A1-1400010	GASKET	1
16	C-A1-1400014	SLIDER	8
17	C-A1-1400015	SPACING RING	1
18	TC-40-1200023	OIL FILLING NOZZLE	1
19	GB95-12	FLAT WASHER	2
20	GB70. 1-M10×100	INNER HEXA CYLINDRICAL SCREW	3
21	GB889. 1-M10	1-TYPE PREVAILING TORQUE TYPEHEXAGONLOCKNUT	3
22	GB6172. 1-M12	HEXANGULAR THIN NUT	5
23	GB77-M12×30	INNER HEXA FLAT TERMINUS SET SCREW	5
24	GB95-8	FLAT WASHER	3
25	GB93-8	STANDARD SPRING WASHER	3
26	GB70. 1-M8×30	INNER HEXA CYLINDRICAL SCREW	3
27	GB70. 1-M6×16	INNER HEXA CYLINDRICAL SCREW	4
28	GB818-M5×10-H	CROSS PANHEAD SCREW	16
29	GB6172. 1-M8	HEXANGULAR THIN NUT	8
30	GB77-M8×20	INNER HEXA FLAT TERMINUS SET SCREW	8
31	GB889. 1-M12	1-TYPE PREVAILING TORQUE TYPE HEXAGON LOCK NUT	2
32	GB70. 1-M12×120	INNER HEXA CYLINDRICAL SCREW	1
33	GB70. 1-M8×16	INNER HEXA CYLINDRICAL SCREW	1
34	C-61-1000002	CUSHION BUSHING	1
35	B-73-1000004	CLIP NUT	10



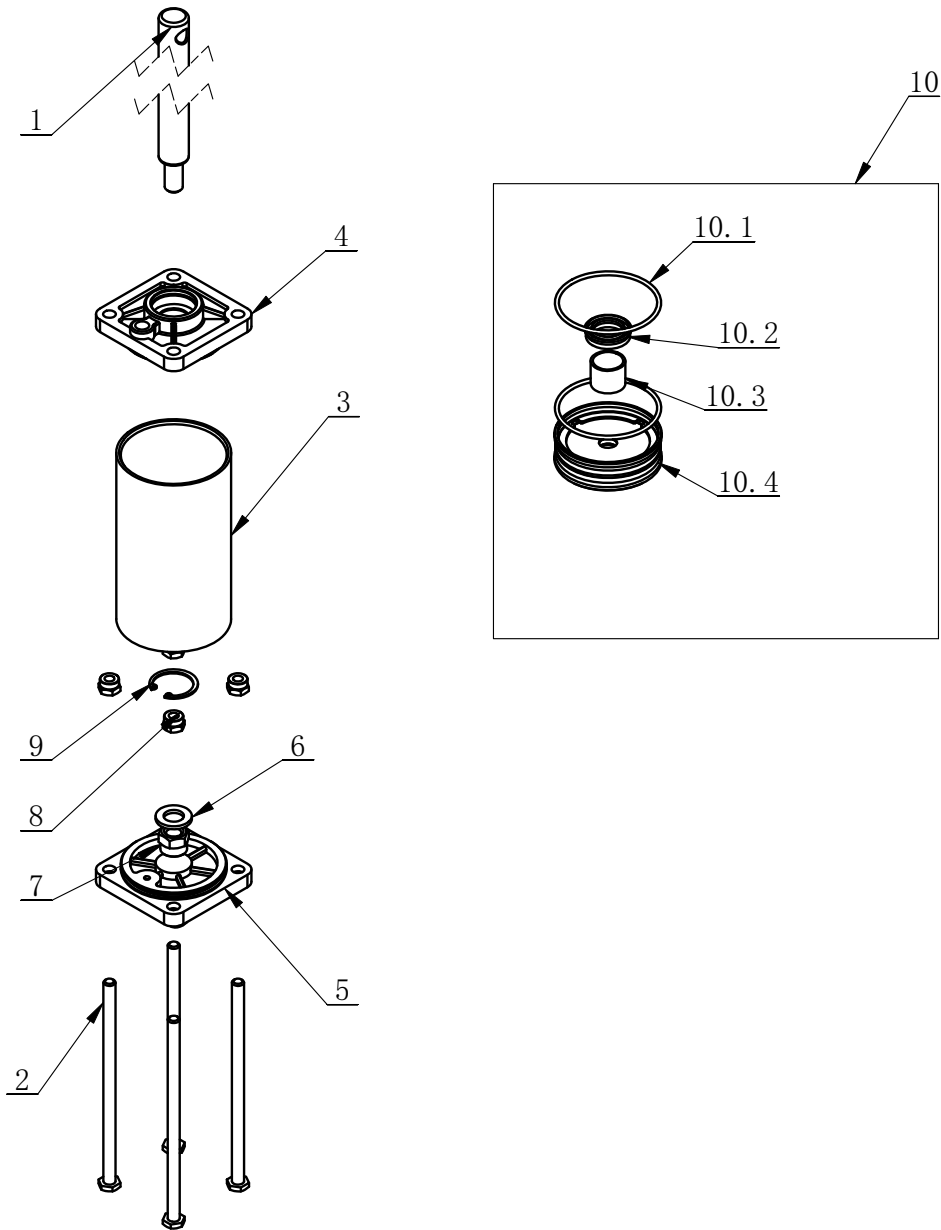
ITEM	PART. No	DESCRIPTION.	QT. Y
1	C-A1-1441000	ROTATION CYLINDER	1
2	C-A1-1442000	TOOL ARM	1
3	C-A1-1440001	WASHER	2
4	C-A1-1440003	ROTATION SHAFT	1
5	S6520 8 - 1-8	INSERT ELBOW $\Phi 8$, R1/8	2
6	GB95-12	FLAT WASHER	1
7	GB119. 1-10×50	CYLINDRICAL PIN	1
8	GB889. 1-M12	1-TYPE PREVAILING TORQUE TYPE HEXAGON LOCK NUT	1
9	GB70. 1-M12×120	INNER HEXA CYLINDRICAL SCREW	1

C-A3-1420000

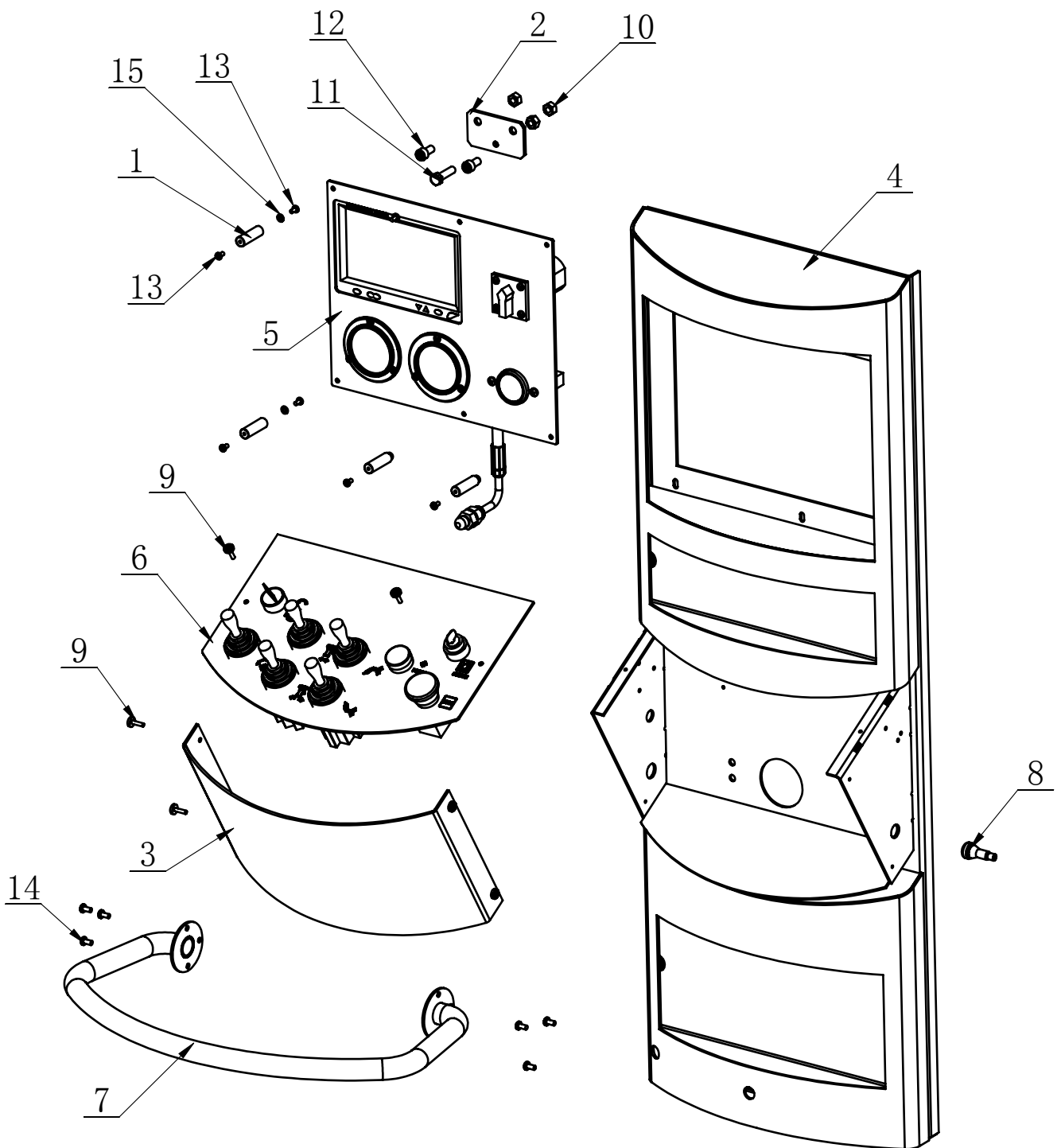


ITEM	PART. NO	DESCRIPTION.	QT. Y
1	C-A3-1421000	CUYLINDER HOUSHING	1
2	C-A1-1420001	PISTON ROD	1
3	C-A1-1130001	FRONT HEAD	1
4	C-A1-1130002	PISTON	1
5	GB93-12	STANDARD SPRING WASHER	1
6	C-A1-1130000M	OIL CYLINDER SEAL ASSEMBLY	1
6.1	C-A1-1130004	COMBINED SEALING RING	1
6.2	GB3452.1-9×1.8-G	HYDRAULIC-PNEUMATIC RUBBER O-RING	1
6.3	C-A1-1130005	SUPPORT RING GT-5.6B	1
6.4	C-A1-1130003	SEALING RING Φ20	1
6.5	C-A1-1130004	COMBINED SEALING RING	1
6.6	GB3452.1-40×3.55-G	HYDRAULIC-PNEUMATIC RUBBER O-RING G TYPE	1

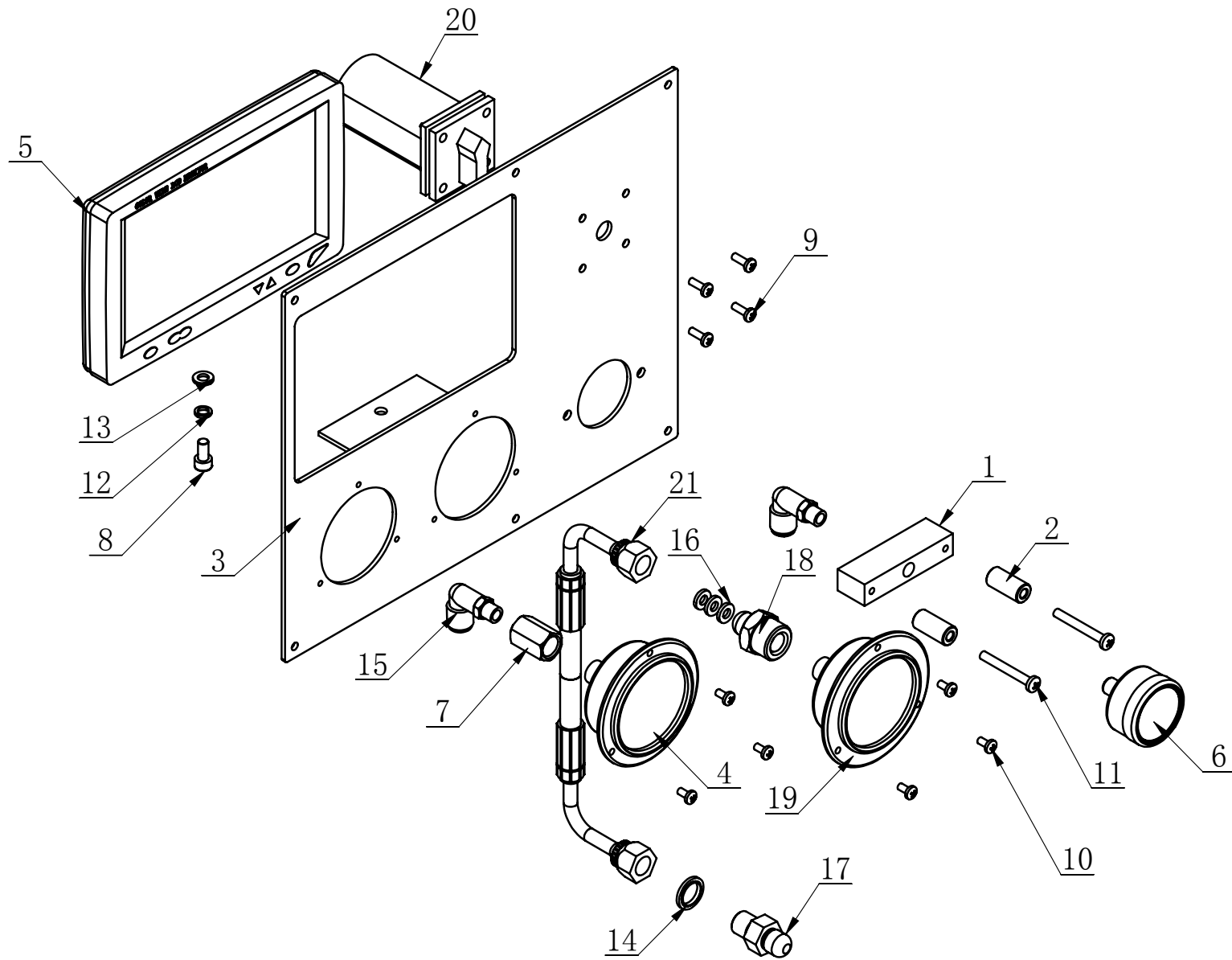
C-A1-1441000



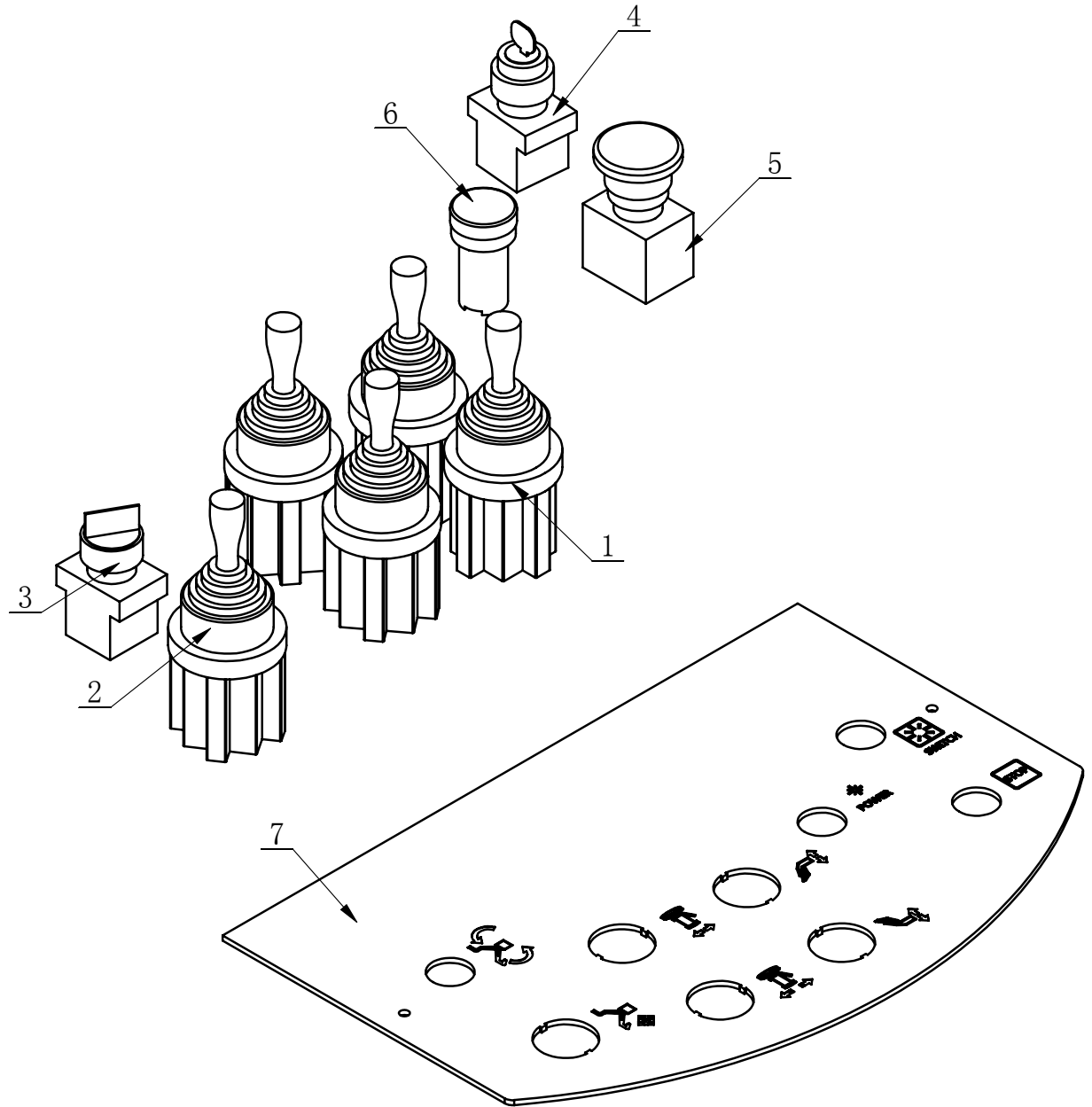
ITEM	PART. NO	DESCRIPTION.	QT. Y
1	C-A1-1441001	PISTON ROD	1
2	C-A1-1441002	SCREW	4
3	C-A1-1441003	CYLINDER	1
4	CT-Y-0160002	FRONT COVER	1
5	CT-Y-0160003	REAR COVER	1
6	GB95-12	FLAT WASHER	1
7	GB889. 1-M12	1-TYPE PREVAILING TORQUE TYPE HEXAGON LOCK NUT	1
8	GB889. 1-M8	1-TYPE PREVAILING TORQUE TYPE HEXAGON LOCK NUT	4
9	GB893. 1-30	ELASTIC RETAINING RING A-TYPE	1
10	C-A1-1144100M	SEAL COMPONENTS	1
10. 1	GB3452. 1-65×2. 65-G	HYDRAULIC-PNEUMATIC RUBBER O-RING G TYPE	2
10. 2	CT-Y-0160007	SEAL-ROD, CYLNDR	1
10. 3	JH1 2020	BEARING-SLIDE	1
10. 4	CT-Y-0161000	PISTON-W/WSHR, ASSY	1



ITEM	PART. No	DESCRIPTION.	QT. Y
1	C-A3-1600001	SPACER BUSH	6
2	C-A3-1600002	JUNCTION PLATE	1
3	C-A3-1600003	SHIELD	1
4	C-A3-1610000	HELPER PROTECTIVE COVER	1
5	C-A3-1620000	DISPLAY BOARD ASSEMBLY	1
6	C-A3-1630000	OPERATING FLOOR	1
7	C-A3-1640000	CONTROL PANEL PROTECT BARS	1
8	CT-K-3100006	CYCLE VALVE	1
9	B-53-1000006	SCREW M4	6
10	GB41-M8	HEXANGULAR NUT	3
11	GB5783-M8×30	HEXANGULAR BOLT	1
12	GB70.1-M8×16	INNER HEXA CYLINDRICAL SCREW	2
13	GB818-M4×8-H	CROSS PANHEAD SCREW	12
14	GB818-M5×10-H	CROSS PANHEAD SCREW	6
15	GB95-4	FLAT WASHER	6

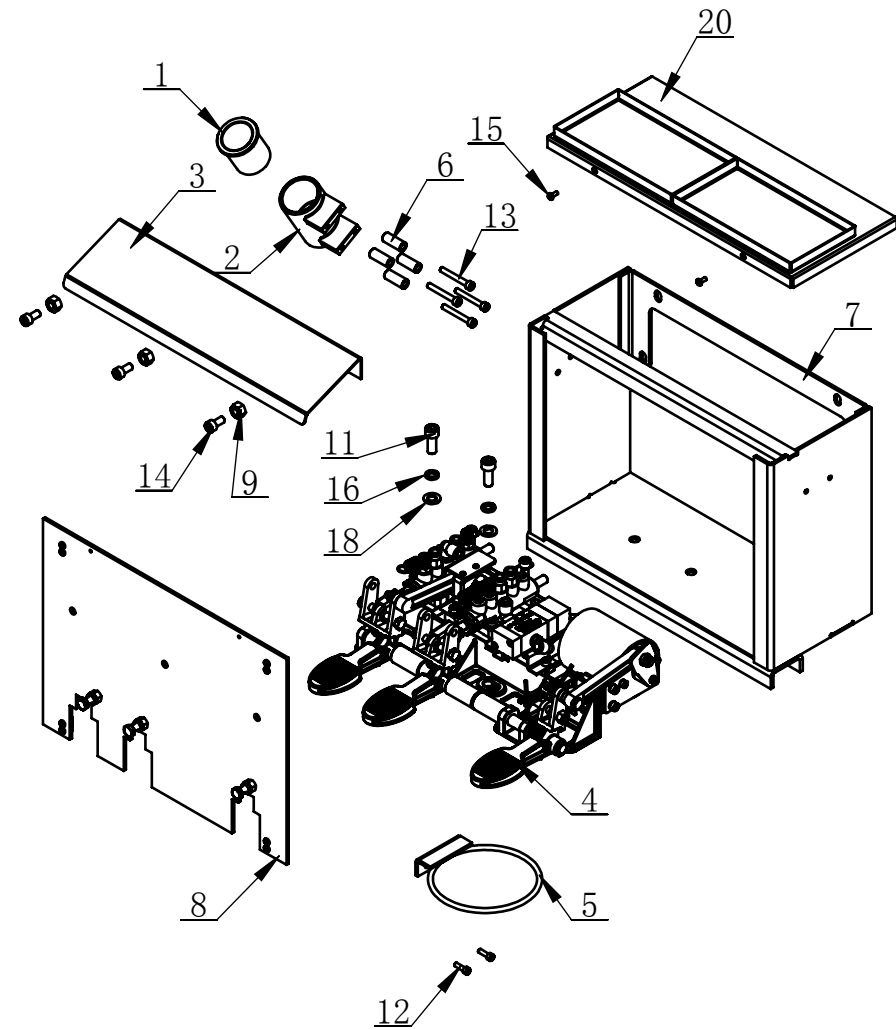


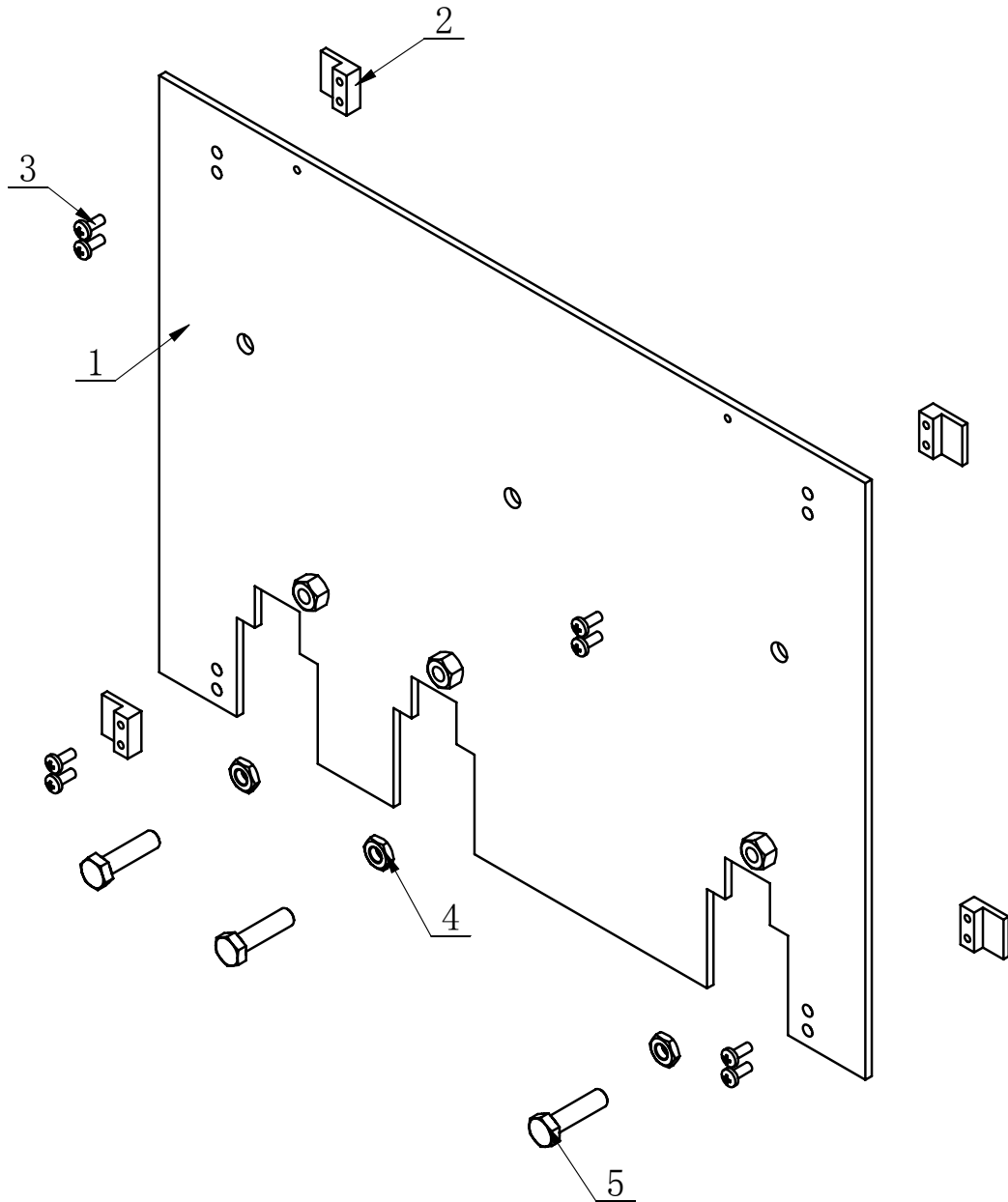
ITEM	PART. No	DESCRIPTION.	QT. Y
1	C-A3-1620001	JUNCTION PLATE	1
2	C-A3-1620002	SPACER BUSH	2
3	C-A3-1621000	INFLATION MASK	1
4	C-A1-2300003	PRESSURE GAUGE	1
5	C-A1-2300002	DISPLAY	1
6	CT-F-2000003	PRESSURE GAUGE	1
7	CT-K-3100002	CONNECT NUT	1
8	GB70. 1-M6×12	INNER HEXA CYLINDRICAL SCREW	1
9	GB818-M4×12-H	CROSS PANHEAD SCREW	4
10	GB818-M4×8-H	CROSS PANHEAD SCREW	6
11	GB818-M5×40-H	CROSS PANHEAD SCREW	2
12	GB93-6	STANDARD SPRING WASHER	1
13	GB95-6	FLAT WASHER	1
14	JB982-14	COMBINED SEALING RING	1
15	S6520 8 - 1-8	INSERT ELBOW Φ8, R1/8	2
16	TC-10-1620003	AIR REGULATOR WASHER	3
17	TC-10-1620005	OIL ROUTE DOUBLE SCREW ROD	1
18	TC-40-1400010	AIR REGULATOR JOINT	1
19	TC-40-1400022	PRESSURE GAUGE	1
20	TC-E-22D2500	DUAL SPEED SWITCH	1
21	YG-1101650	OIL PIPE	1



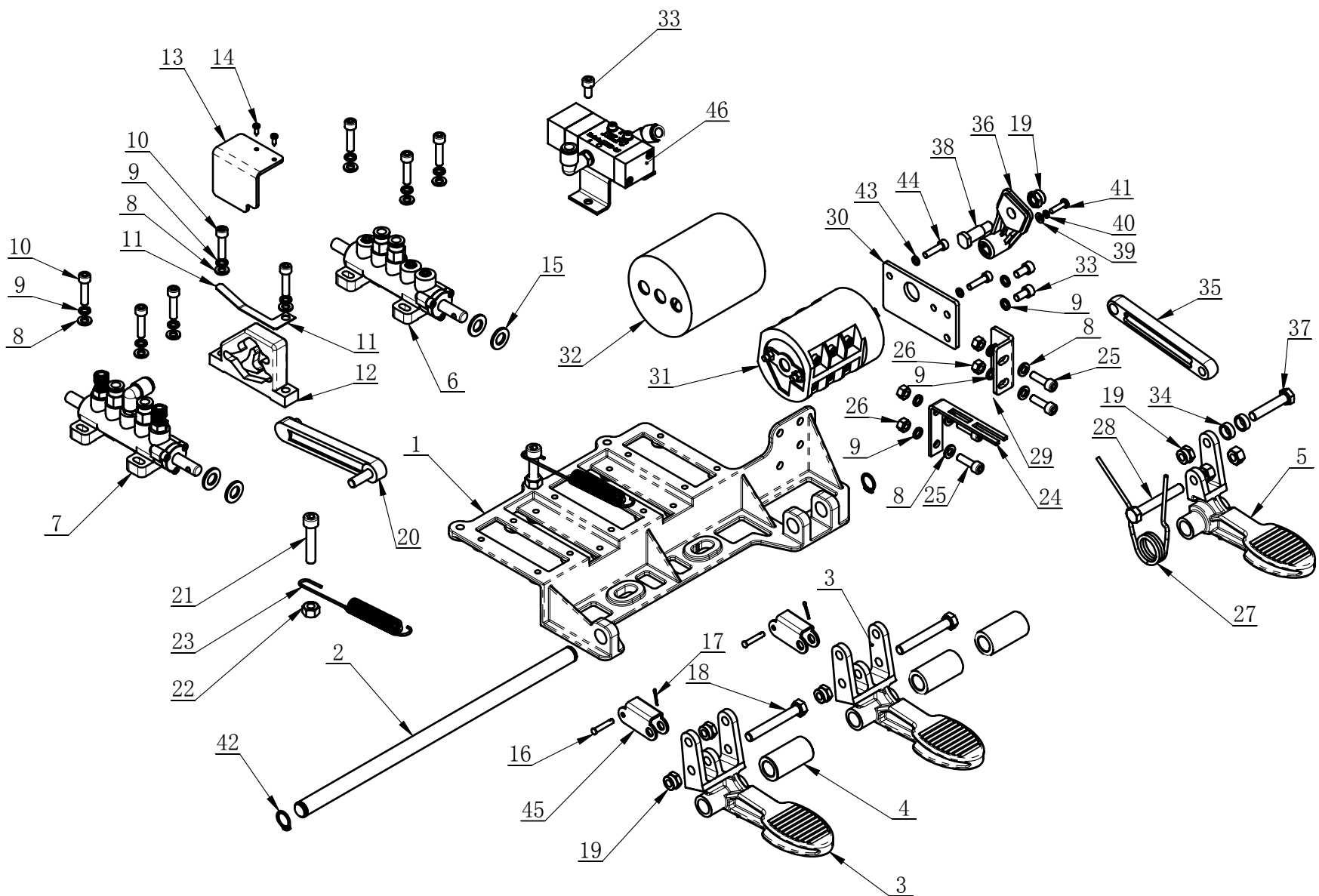
ITEM	PART. No	DESCRIPTION.	QT. Y
1	C-A1-2200003	CROSS SWITCH	4
2	C-A1-2200004	CROSS SWITCH	1
3	C-A1-2200005	TORSION SWITCH	1
4	C-A1-2200006	KEY SWITCH	1
5	TC-40-1800015	EMERGENCY SWITCH	1
6	TC-E-7202401	ELECTRICAL SUPPLY INDICATING LIGHT	1
7	C-A1-2200007	OPERATION PANEL	1

ITEM	PART. No	DESCRIPTION.	QT. Y
1	C-A1-1700003	NYLON BUSHING	1
2	C-A1-1700004	FIX PIPE	1
3	C-A1-1700006	PROTECTIVE COVER	1
4	C-A1-1710000A	PEDAL ASSEMBLY	1
5	C-A1-1740000	SUPPORTING BRACKET	1
6	C-A2-1000011	INTERVAL RING	4
7	C-A3-1730000	BODY	1
8	C-A3-1750000	FACEPLATE	1
9	GB41-M10	HEXANGULAR NUT	3
10	GB41-M5	HEXANGULAR NUT	2
11	GB70. 1-M10×25	SCREW	2
12	GB70. 1-M5×16	INNER HEXA CYLINDRICAL SCREW	2
13	GB70. 1-M6×45	INNER HEXA CYLINDRICAL SCREW	4
14	GB70. 1-M8×16	INNER HEXA CYLINDRICAL SCREW	3
15	GB818-M4×10-H	CROSS PANHEAD SCREW	2
16	GB93-10	STANDARD SPRING WASHER	2
17	GB93-5	STANDARD SPRING WASHER	2
18	GB95-10	FLAT WASHER	2
19	GB95-5	FLAT WASHER	2
20	C-A3-1760000A	COVER PLATE	1



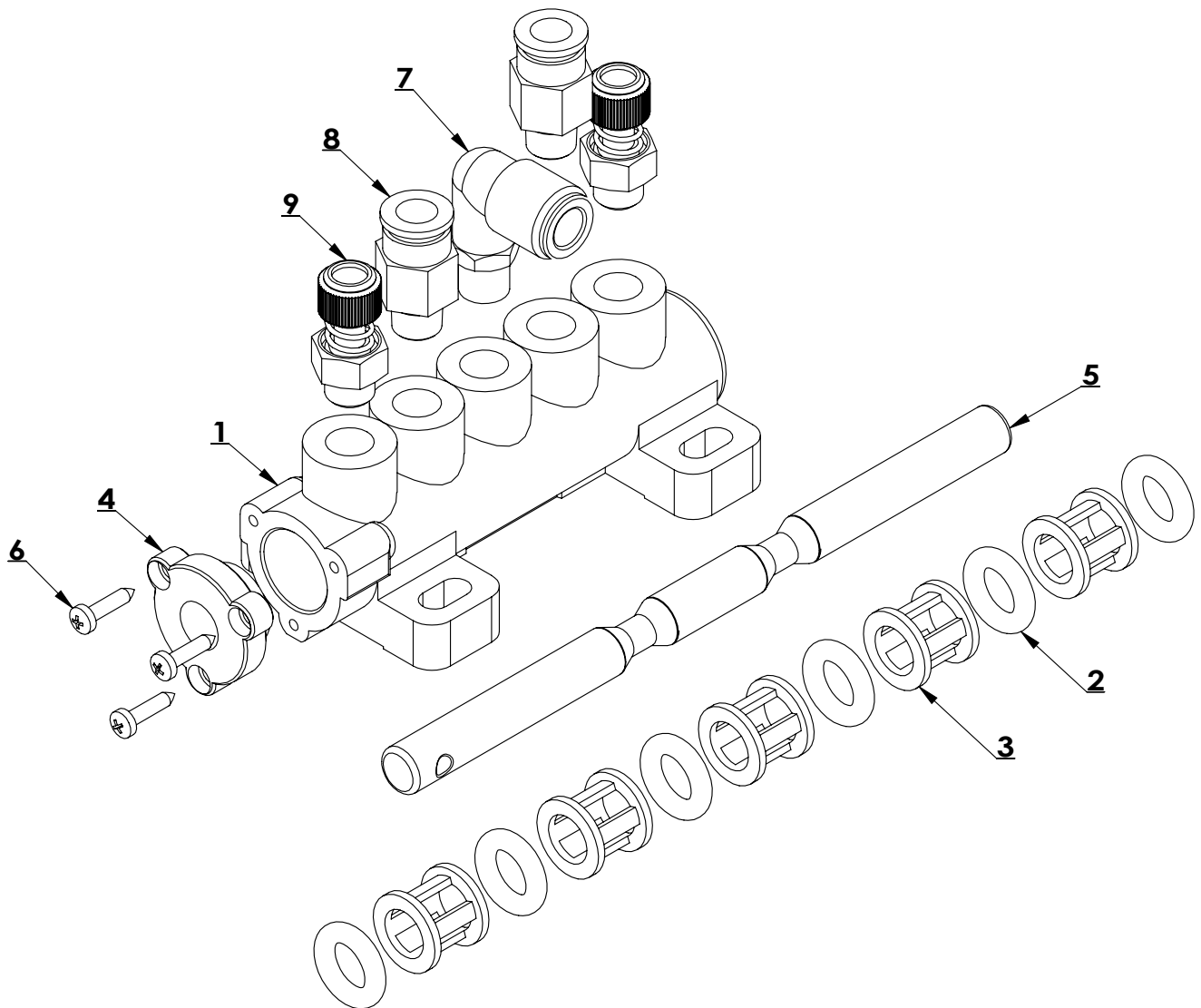


ITEM	PART. No	DESCRIPTION.	QT. Y
1	C-A3-1751000	WELDED PLATE	1
2	C-A3-1750001	STOP DOG	4
3	GB818-M4×10-H	CROSS PANHEAD SCREW	8
4	GB6172.1-M8	HEXANGULAR THIN NUT	3
5	GB5783-M8×40	HEXANGULAR BOLT	3

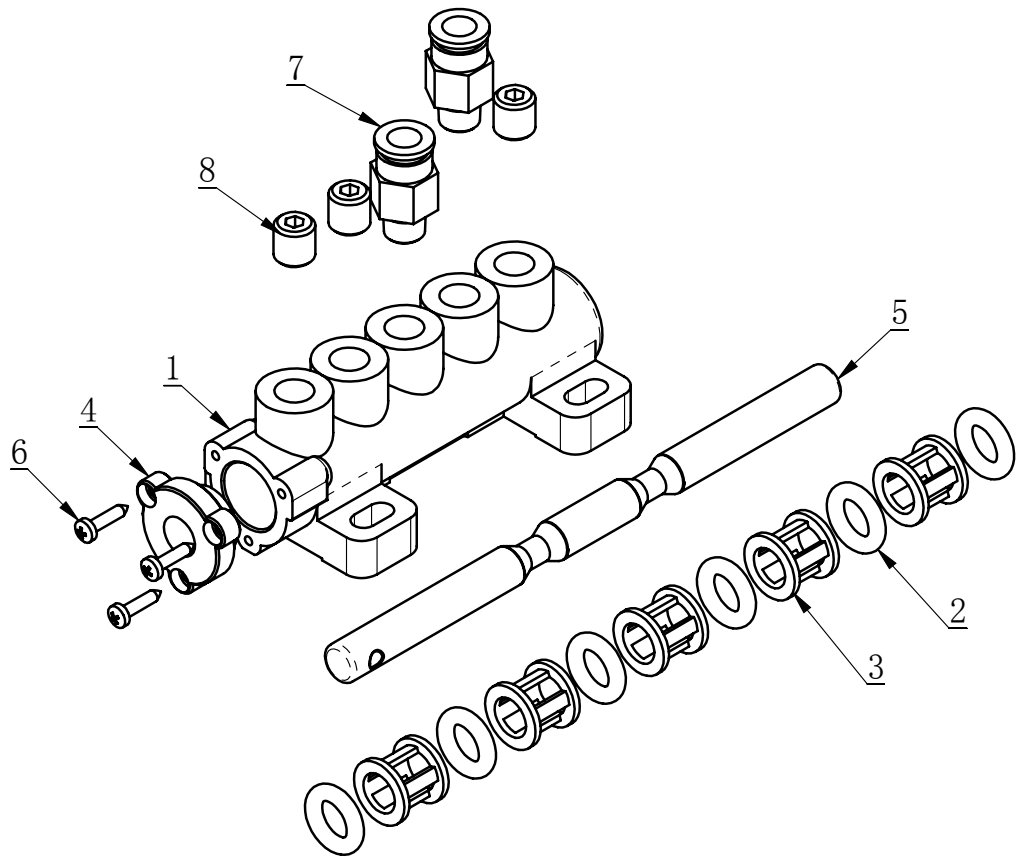


ITEM	PART. No	DESCRIPTION.	QT. Y
1	CT-D-6100001	PEDAL SUPPORT	1
2	CT-D-6100002	BOTTOM SHAFT	1
3	CT-D-5100003	PEDAL	2
4	CT-D-2100001	SPACER	3
5	CT-D-5100002	PEDAL	1
6	C-A1-1716000	VALVE	1
7	CT-D-0015000	VALVE	1
8	GB95-6	FLAT WASHER	12
9	GB93-6	STANDARD SPRING WASHER	14
10	GB70. 1-M6×25	INNER HEXA CYLINDRICAL SCREW	8
11	CT-D-2100004	SPRING PLATE	1
12	CT-D-1100009	CAM	1
13	CT-D-5100010	CAM BAFFLE PLATE	1
14	GB845-ST2. 9×9. 5 H C	CROSS PANHEAD TAPPING SCREW	2
15	GB95-10	FLAT WASHER	4
16	GB882-4×22	PIN SHAFT	2
17	GB91-1. 6×10	SLOTTED PIN	2
18	GB5782-M8×60	HEXANGULAR BOLT	2
19	GB889. 1-M8	1-TYPE PREVAILING TORQUE TYPE HEXAGON LOCK NUT	5
20	CT-D-1100008	CAM CONNECTING ROD	1
21	GB70. 1-M8×40	INNER HEXA CYLINDRICAL SCREW	2
22	GB41-M8	HEXANGULAR NUT	4
23	CT-D-5100007	SPRING	2
24	CT-D-2100010	TORSION SPRING BRACKET	1
25	GB70. 1-M6×20	INNER HEXA CYLINDRICAL SCREW	4
26	GB41-M6	HEXANGULAR NUT	4
27	CT-D-2100002	TORSION SPRING	1
28	GB5782-M8×55	HEXANGULAR BOLT	1
29	CT-D-5100008	SWITCH SUPPORT	1
30	CT-D-5100009	SWITCH SUPPORT	1
31	CT-D-1100018	SWITCH	1
32	CT-D-1100014	SWITCH COVER	1
33	GB70. 1-M6×12	INNER HEXA CYLINDRICAL SCREW	4
34	CT-D-2100005	SPACER	2
35	CT-D-2100011	CONNECTION ROD	1
36	CT-D-1100010	REVERSE LEVER	1
37	GB5781-M8×40	HEXANGULAR BOLT	1
38	CT-D-2100012	ROTATION SHAFT	1
39	GB95-4	FLAT WASHER	1
40	GB93-4	STANDARD SPRING WASHER	1

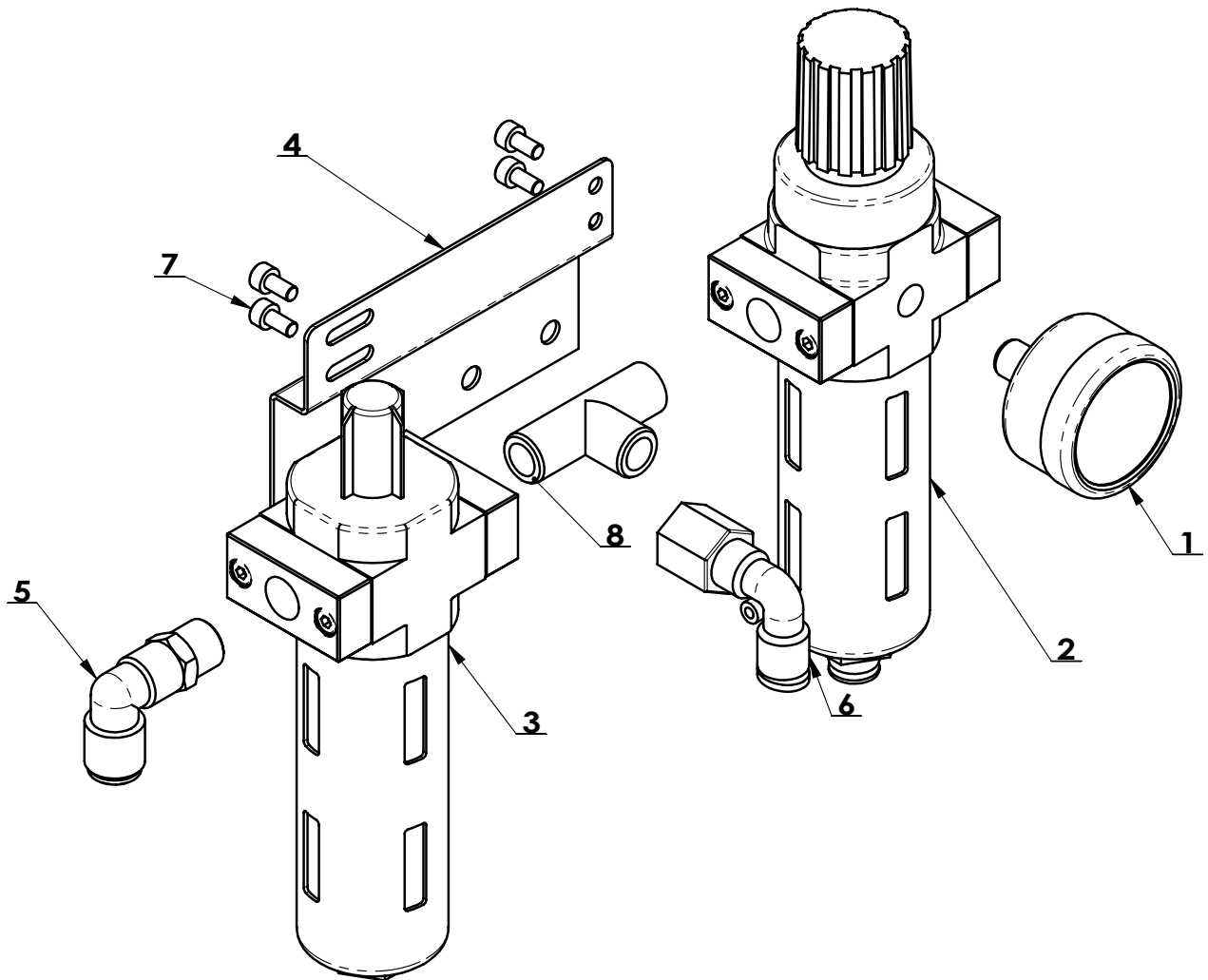
ITEM	PART. No	DESCRIPTION.	QT. Y
41	GB818-M4×16-H	CROSS PANHEAD SCREW	1
42	GB894. 1-14	SHAFT ELATIC BIG RETAINING RING A-TYPE	2
43	GB93-5	STANDARD SPRING WASHER	2
44	GB70. 1-M5×20	INNER HEXA CYLINDRICAL SCREW	2
45	CT-D-5100005	CONNECTION PART	2
46	C-A1-1715000	VALVE	1



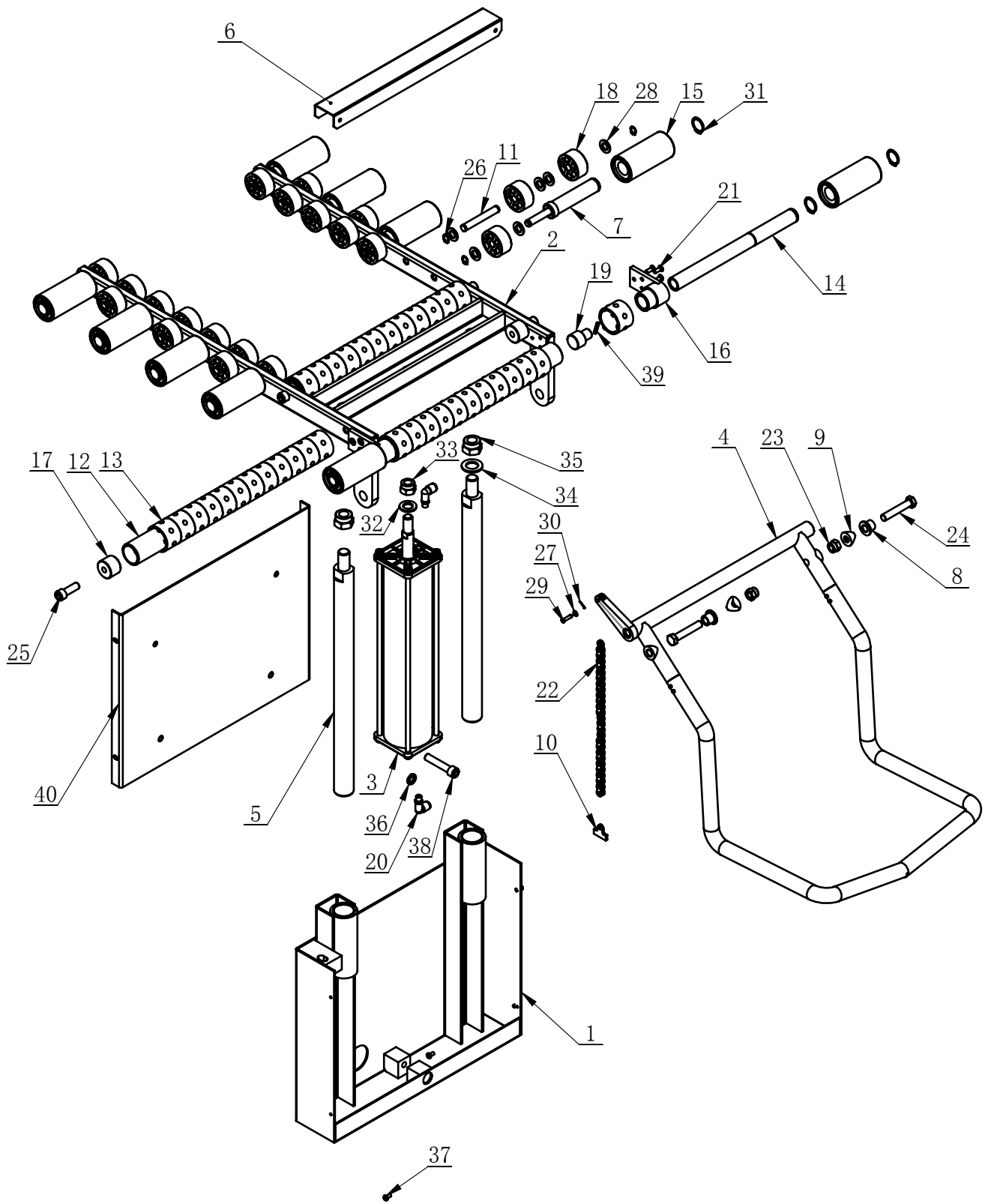
ITEM	PART. No	DESCRIPTION.	QT. Y
1	CT-D-1110001	VALVE BODY	1
2	CT-D-1110003	O-RING	6
3	CT-D-1110004	SPACER	5
4	CT-D-1110005	VALVE CAP	1
5	CT-D-2600003	VALVE ROD	1
6	GB845-ST2. 9×13 H C	SCREW	3
7	FPL 8-01	INSERT ELBOW $\Phi 8$, R1/8	1
8	FPC 8-01	MALE STRAIGHT	2
9	FJSR 01	BRASS REGULATOR SILENCER	2



ITEM	PART. No	DESCRIPTION.	QT. Y
1	CT-D-1110001	VALVE BODY	1
2	CT-D-1110003	O-RING	6
3	CT-D-1110004	SPACER	5
4	CT-D-1110005	VALVE CAP	1
5	CT-D-2600003	VALVE ROD	1
6	GB845-ST2.9×13 H C	SCREW	3
7	FPC 8-01	MALE STRAIGHT	2
8	JB/ZQ4447-1997-G1/8×10	SCREW PLUG R1/8-10	3

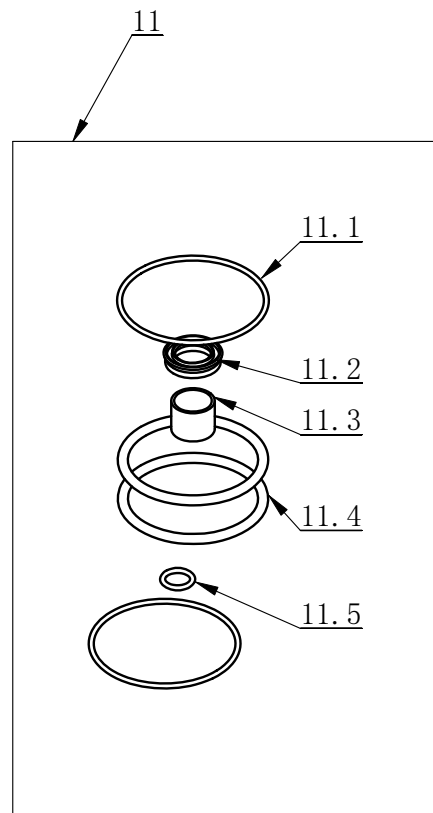
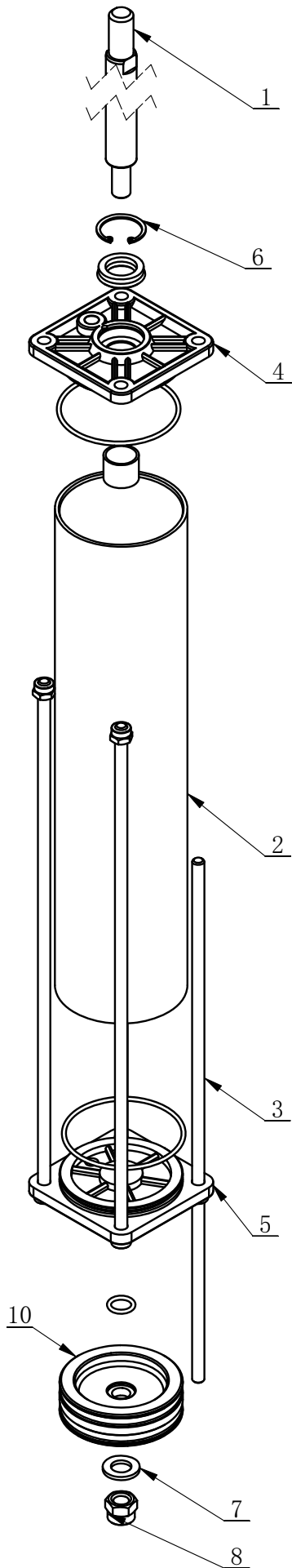


ITEM	PART. No	DESCRIPTION.	QT. Y
1	CT-F-2000003	PRESSURE GAUGE	1
2	CT-F-2000010	PRESSURE ADJUST VALVE AND WATER CUP	1
3	CT-F-2000020	OIL CUP	1
4	CT-F-2000040	AIR REGULATOR BRACKET	1
5	FPL 8-02	INSERT ELBOW $\Phi 8, R1/4$	1
6	FPLF8-02	INSERT ELBOW $\phi 8, R1/4$	1
7	GB70. 1-M4 \times 8	INNER HEXA CYLINDRICAL SCREW	4
8	PEH 02-02	FAMALE UNION TEE	1

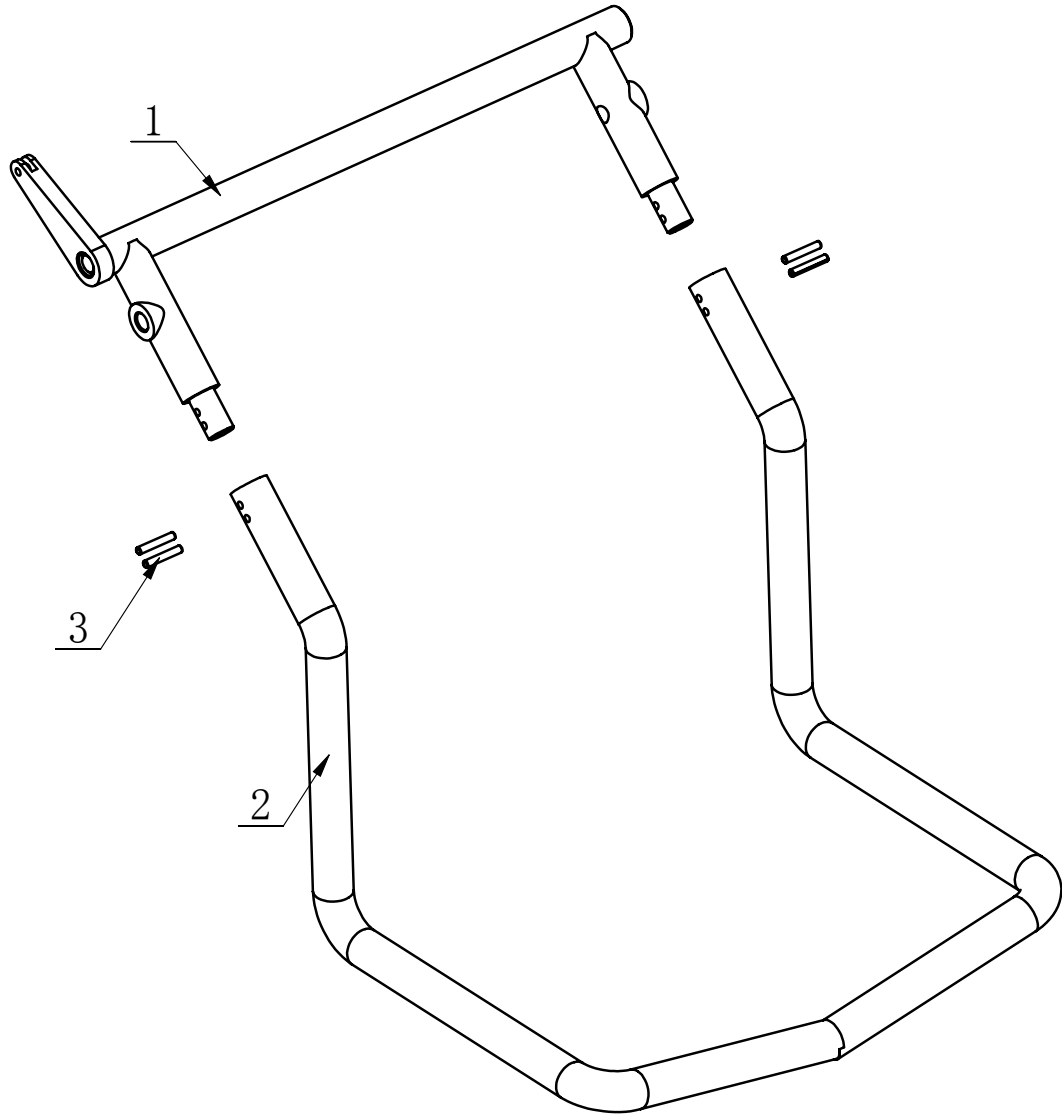


ITEM	PART. No	DESCRIPTION.	QT. Y
1	C-A1-1510000	FIX RACK	1
2	C-A1-1520000	LIFTING BRACKET	1
3	C-A1-1550000	CYLINDER ASSEMBLY	1
4	C-A1-1540000	ROLL-OVER STAND	1
5	C-A1-1500001	SLIDE ROD	2
6	C-A1-1500003	RETAINING PLATE	1
7	C-A1-1500004	LONG ROTATION SHAFT	8
8	C-A1-1500005	BUSHING	2
9	C-A1-1500006	CUSHION	2
10	C-A1-1500007	RETAINING BLOCK	1
11	C-A1-1500008	SHAFT	6
12	C-A1-1500009	CYLINDER	3
13	C-A1-1500010	PIPE	36
14	C-A1-1500011	ADJUTAGE	2
15	C-A1-1500012	ASSIST WHEEL	10
16	C-A1-1500013	BLOSTER	2
17	C-A1-1500014	FIXTURE AXLE	4
18	C-A1-1500015	ROLLING WHEEL	20
19	C-A1-1500016	SLIDE SHAFT	2
20	S6520 8 - 1-8	INSERT ELBOW $\Phi 8$, R1/8	2
21	GB819. 2-M6 \times 16	CROSS COUNTERSUNK SCREW STEEL 8.8 GRADE	6
22	GB6074-LH0822X20	LIFTING CHAIN	1
23	GB889. 1-M12	1-TYPE PREVAILING TORQUE TYPE HEXAGON LOCK NUT	2
24	GB5780-M12 \times 65	HEXANGULAR BOLT	2
25	GB70. 1-M12 \times 35	INNER HEXA CYLINDRICAL SCREW	4
26	GB894. 1-12	SHAFT ELATIC BIG RETAINING RING A-TYPE	20
27	GB95-5	FLAT WASHER	1
28	GB95-12	FLAT WASHER	40
29	GB882-5 \times 20	PIN SHAFT	1
30	GB91-1. 6 \times 10	SLOTTED PIN	1
31	GB894. 1-25	SHAFT ELATIC BIG RETAINING RING A-TYPE	12
32	GB95-16	FLAT WASHER	1
33	GB889. 1-M16	1-TYPE PREVAILING TORQUE TYPE HEXAGON LOCK NUT	1
34	GB95-20	FLAT WASHER	2
35	GB889. 1-M20	1-TYPE PREVAILING TORQUE TYPE HEXAGON LOCK NUT	2
36	GB93-12	STANDARD SPRING WASHER	1
37	GB818-M5 \times 10-H	CROSS PANHEAD SCREW	4
38	GB70. 1-M12 \times 60	INNER HEXA CYLINDRICAL SCREW	1
39	GB879. 1-5 \times 26	ELASTIC CYLINDRICAL PIN, HEAVY	2
40	C-A1-1500002	LIFT RACK HOUSING	1

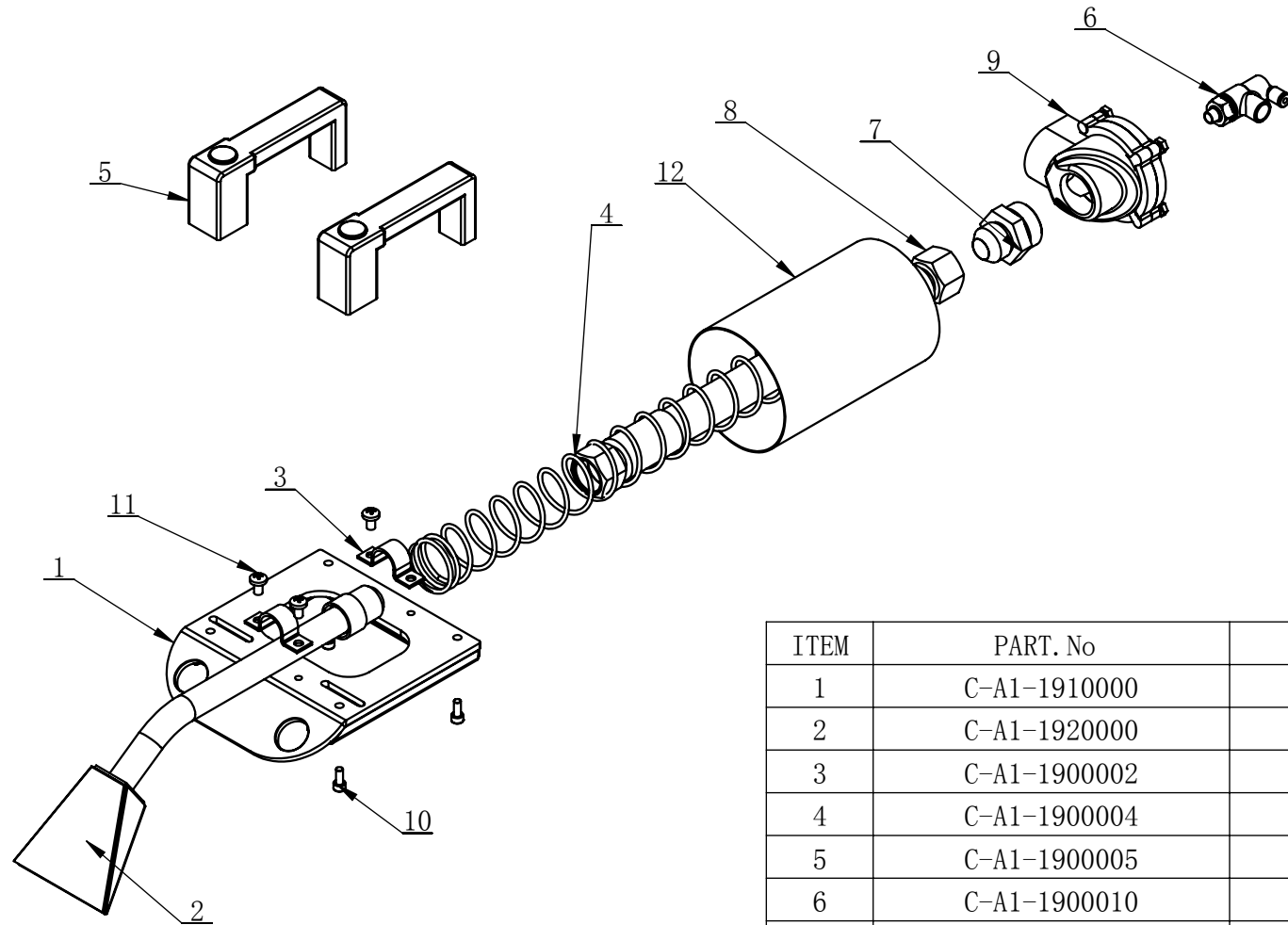
C-A1-1550000



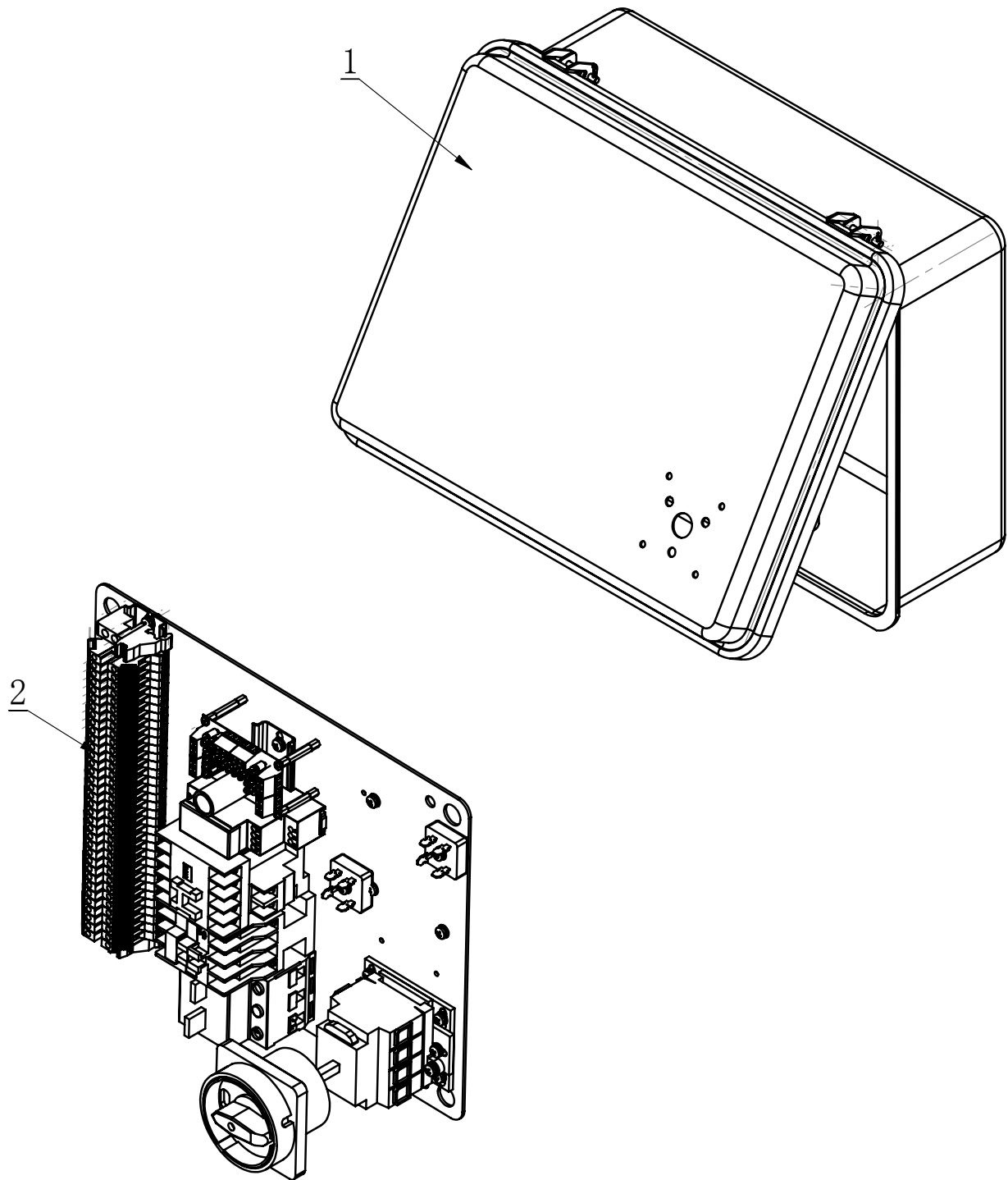
ITEM	PART. NO	DESCRIPTION.	QT. Y
1	C-A1-1550001	SHAFT-CYLNDR	1
2	C-A1-1550002	SLEEVE-CYLNDR 80MM	1
3	C-A1-1550003	BOLT-TIE, CYLNDR	4
4	CT-Y-4120004	CYLINDER FRONT COVER	1
5	CT-Y-4120005	CAP-BASE, CYLNDR	1
6	GB893. 1-30	ELASTIC RETAINING RING A-TYPE	1
7	GB95-12	FLAT WASHER	1
8	GB889. 1-M12	1-TYPE PREVAILING TORQUE TYPE HEXAGON LOCK NUT	1
9	GB889. 1-M8	1-TYPE PREVAILING TORQUE TYPE HEXAGON LOCK NUT	8
10	C-A1-1531000	PLUNGER	1
11.1	GB3452. 1-75×2. 65-G	HYDRAULIC-PNEUMATIC RUBBER O-RING G TYPE	2
11.2	CT-Y-0160007	SEAL-ROD, CYLNDR	1
11.3	JH1 2020	BEARING-SLIDE	1
11.4	GB3452. 1-69×5. 3-G	HYDRAULIC-PNEUMATIC RUBBER O-RING G TYPE	2
11.5	GB / T 3452. 1-2005	HYDRAULIC-PNEUMATIC RUBBER O-RING G TYPE	1



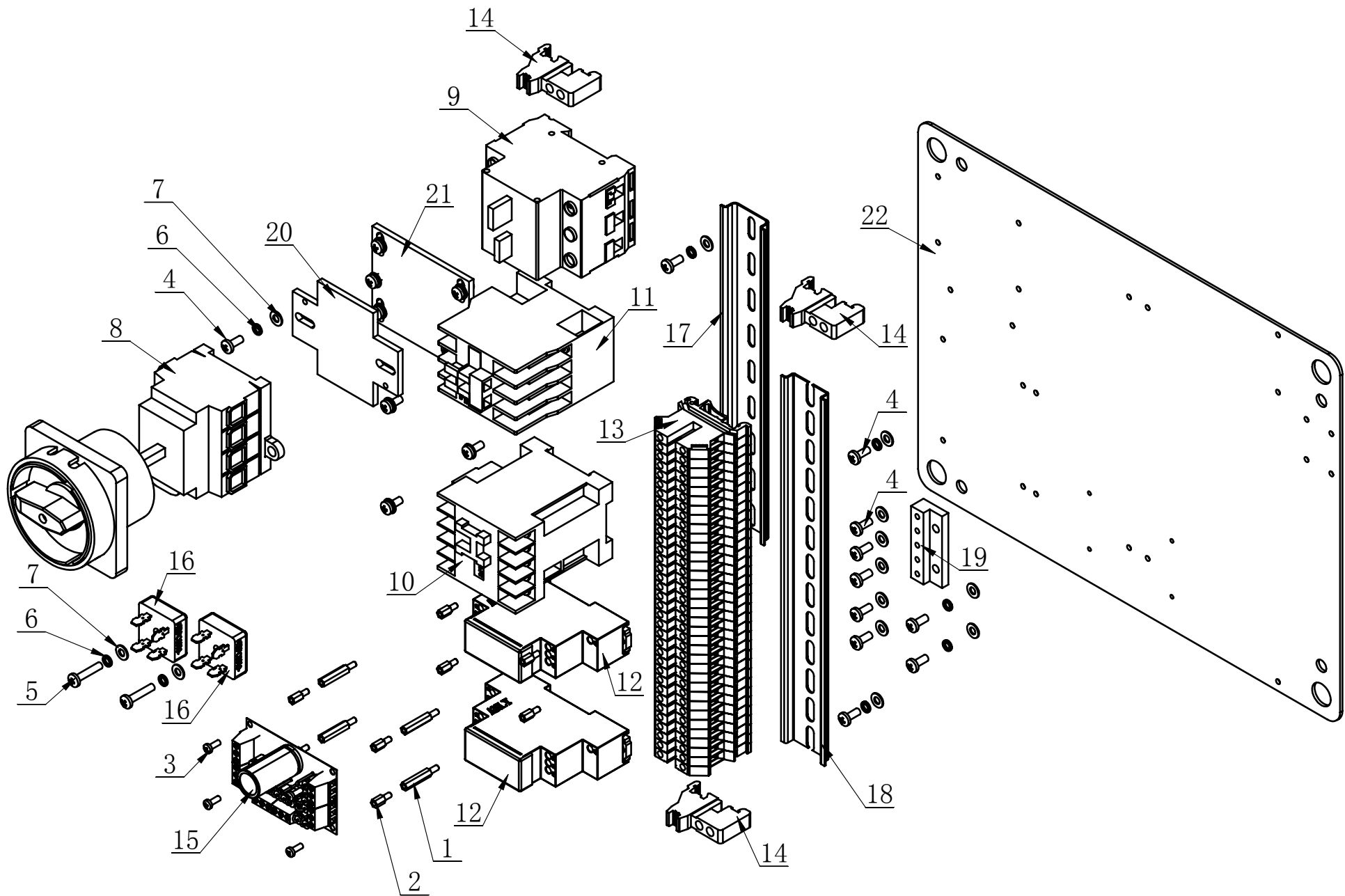
ITEM	PART. No	DESCRIPTION.	QT. Y
1	C-A1-1541000	ROLL-OVER BRACKET	1
2	C-A1-1540001	ROLL-OVER BRACKET	1
3	GB879. 2-5×30	ELASTIC CYLINDRICAL PIN, LIGHT	4



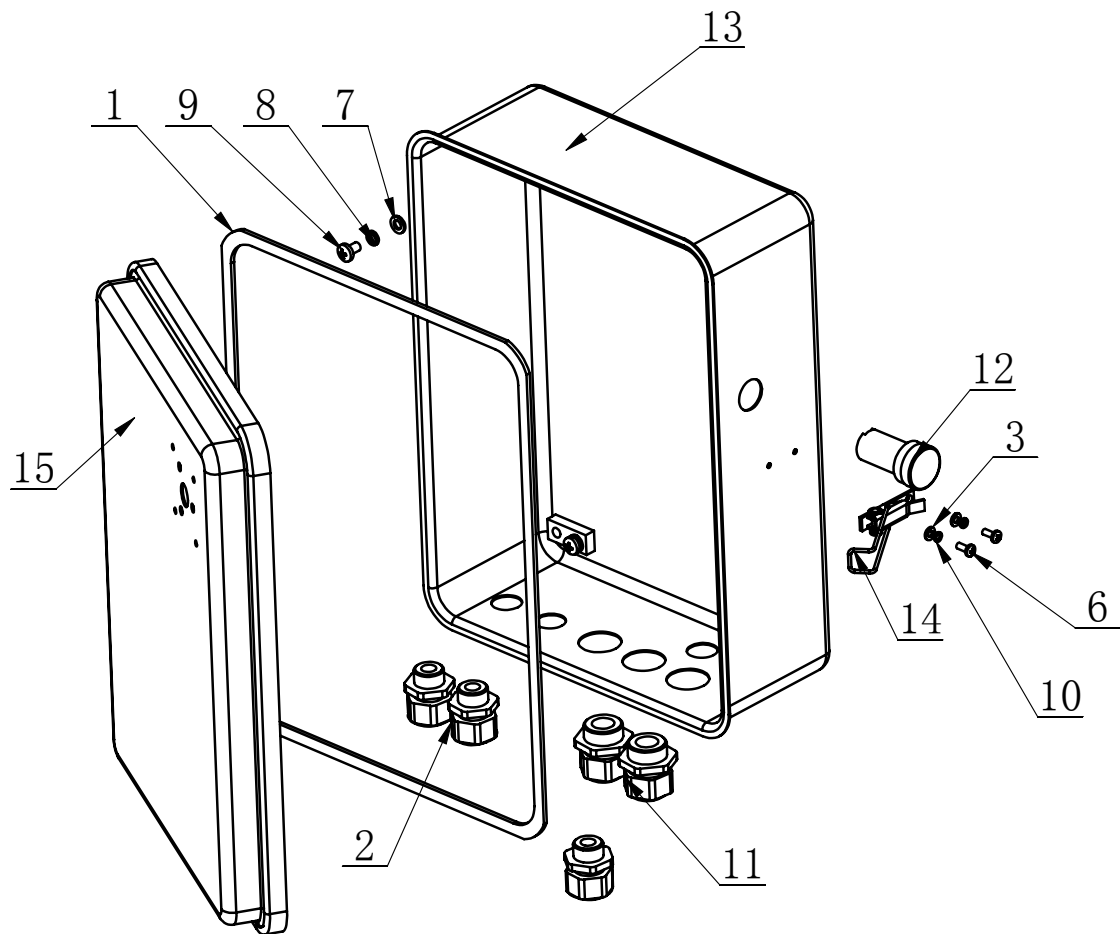
ITEM	PART. No	DESCRIPTION.	1
1	C-A1-1910000	INFLATION BASE	1
2	C-A1-1920000	INFLATION NOZZLE	1
3	C-A1-1900002	PRESS RING	2
4	C-A1-1900004	VERTICAL SHAFT SPRING	1
5	C-A1-1900005	HANDLE VALVE	2
6	C-A1-1900010	CHECK VALVE 1/4	1
7	C-A1-1900009	SCREW	1
8	C-A1-1900008	INFLATION PIPE	1
9	C-A1-1900007	QUICK EXHAUST VALVE	1
10	GB70. 1-M5×12	INNER HEXA CYLINDRICAL SCREW	4
11	GB/T 818 - M6×10-H	CROSS PANHEAD SCREW	4
12	C-A1-1900001	BLAST INFLATION HOSE BUSHING	1



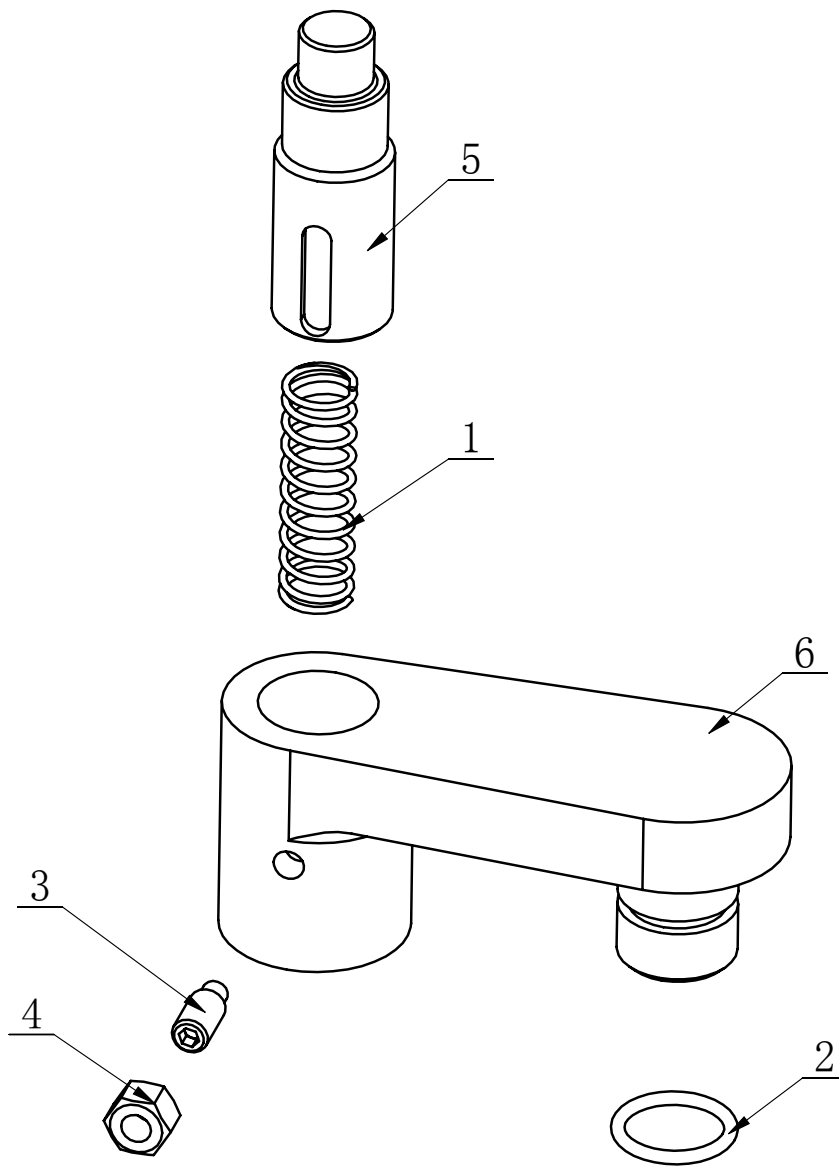
ITEM	PART. No	DESCRIPTION.	QT. Y
1	C-A1-B131320	899IT three-phase electric control box	1
2	C-A1-B232221	899ITthree-phase 380Vcontrol panel	1



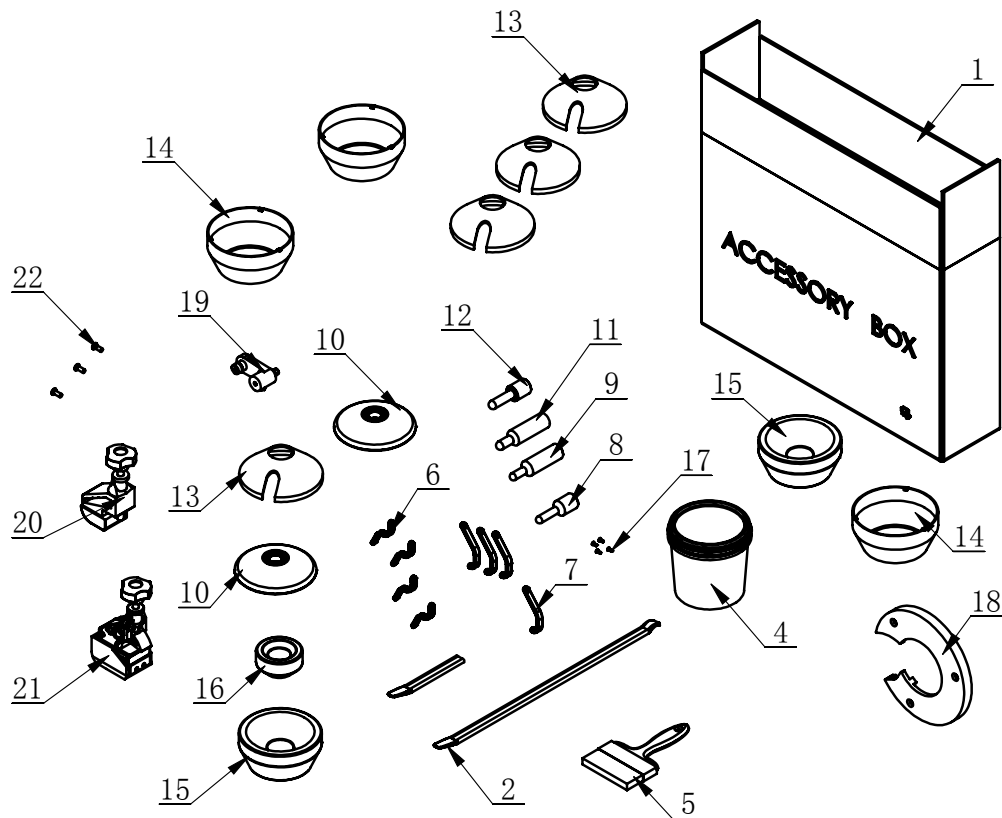
ITEM	PART. No	DESCRIPTION.	QT. Y
1	B-68-1400001	SIX-PARTY ISOLATION CUSHION COLUMN	4
2	B-68-1400002	SIX-PARTY ISOLATION CUSHION COLUMN	8
3	GB818-M3×8-H	CROSS PANHEAD SCREW	4
4	GB818-M4×10-H	CROSS PANHEAD SCREW	23
5	GB818-M4×20-H	CROSS PANHEAD SCREW	2
6	GB93-4	STANDARD SPRING WASHER	19
7	GB95-4	FLAT WASHER	26
8	TC-E-2442525	POWER SWITCH	1
9	TC-E-4110812	BREAKER	1
10	TC-E-4201224	AC CONTACTOR	1
11	TC-E-4280122	AC CONTACTOR	1
12	TC-E-4324124	TIME RELAY	2
13	TC-E-5110025	TERMINAL	35
14	TC-E-5130000	GUIDE BLOCK IS	3
15	TC-E-6100002	WAKE UP THE PANEL	1
16	TC-E-7103510	BRIDGE RECTIFIER	2
17	TC-E-7363520	GUIDE	1
18	TC-E-7363555	GUIDE	1
19	TC-E-7400001	EARTHING TERMINAL	1
20	TC-E-7500001	SWITCH FIX PLATE	1
21	TC-E-7500002	SWITCH FIX PLATE	1
22	TC-E-7600001	ELECTRICAL BLOCK BOARD	1



ITEM	PART. No	DESCRIPTION.	QT. Y
1	TC-E-8400001	SEALING STRIP	1
2	TC-E-7700020	CABLE LOCK HEAD M20X1.5	3
3	GB95-4	FLAT WASHER	2
4	GB882-4×30	PIN SHAFT	2
5	GB91-1.2×12	SLOTTED PIN	2
6	GB818-M4×10-H	CROSS PANHEAD SCREW	2
7	GB95-6	FLAT WASHER	4
8	GB93-6	STANDARD SPRING WASHER	4
9	GB818-M6×10-H	CROSS PANHEAD SCREW	4
10	GB93-4	STANDARD SPRING WASHER	2
11	TC-E-7700027	CABLE LOCK M27X1.5 PG21	2
12	TC-E-7202401	ELECTRICAL SUPPLY INDICATING LIGHT	1
13	TC-E-8200001	BOX	1
14	TC-E-8300001	LOCKSET	1
15	TC-E-8100001	COVER	1



ITEM	PART. No	DESCRIPTION.	QT. Y
1	C-A1-1190004	PRESSURE SPRING	1
2	GB3452. 1-13. 2×1. 8-G	HYDRAULIC-PNEUMATIC RUBBER O-RING G TYPE	1
3	GB79-M5×12	INNER HEXA CYLINDRICAL TERMINUS SET SCREW	1
4	GB41-M5	HEXANGULAR NUT	1
5	C-A1-1190005	INSERT SHAFT	1
6	C-A1-1190013	JACK	1



ITEM	PART. No	DESCRIPTION.	QT. Y
1	TB-S-0100006	ACCESSORY CASE CB958G	1
2	C-54-8000003	20INCH CROWBAR	1
3	C-01-1000012	20INCH CROWBAR	1
4	C-54-8100000	GREASE CONTAINER	1
5	TC-40-8000007	BRUSH	1
6	C-A1-1450010	PROTECTION PAD A	4
7	C-A1-1450011	PROTECTION PAD B	4
8	C-A1-1190007	EXTENSION BAR	1
9	C-A1-1190006	EXTENSION BAR	1
10	C-A1-1361000	BY PLACENTA	2
11	C-A1-1190008	EXTENSION BAR	1
12	C-A1-1190009	EXTENSION BAR	1
13	C-A1-11C0007	CONE COVER	4
14	C-A1-11C0009	BIG CONE COVER	3
15	C-A1-11C0010	LARGETAPER	2
16	C-A1-11C0011	BOCCA	1
17	GB70. 3-M3×8	INNER COUNTERSUNK SCREW	4
18	C-A2-1100013	COVER	1
19	C-A1-1190000	FORK	1
20	CT-S-0200000	PRESS TIRE DEVICE	1
21	CT-S-0400000	PRESS TIRE DEVICE	1
22	GB819. 1-M6×16-H	SCREW	3